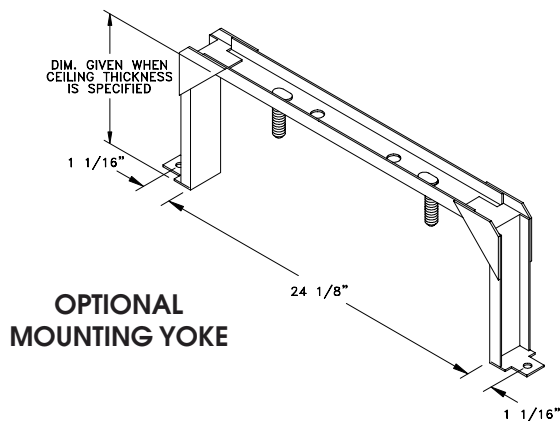


PLASTER FRAME ASSEMBLIES

LUMINAIRE SIZE	PLASTER FRAME ASSEMBLY NUMBER	CEILING OPENING	EACH ADDED UNIT	FRAME OPENING	
				DIM "A"	DIM "B"
10" x 2'	PF-10-002	9 1/4" x 24 1/8"	--	9 1/8"	24 1/8"
10" x 4'	PF-10	9 1/4" x 48 1/8"	49 1/16"	9 1/8"	48 1/8"
1' x 2'	PF-30-1x2	12" x 24 1/8"	--	11 15/16"	24 1/8"
1' x 4'	PF-30	12" x 48 1/8"	49 1/16"	11 15/16"	48 1/8"
2' x 4'	PF-50	24" x 48 1/8"	49 1/16"	23 15/16"	48 1/8"
2' x 2'	PF-60	24" x 24"	--	23 15/16"	23 15/16"
1' x 8'	PF-30-1x8	12" x 96 1/8"	--	11 15/16"	96 1/8"

NOTES: When frames are for in-row mounting of luminaires, spacers and cross channel must be inserted at each junction of side panels.
 An additional cross channel is provided with each plaster frame for temporary use as spreaders during framing and plastering.



"Specifications and dimensions subject to change without notice"

PROJECT INFORMATION

