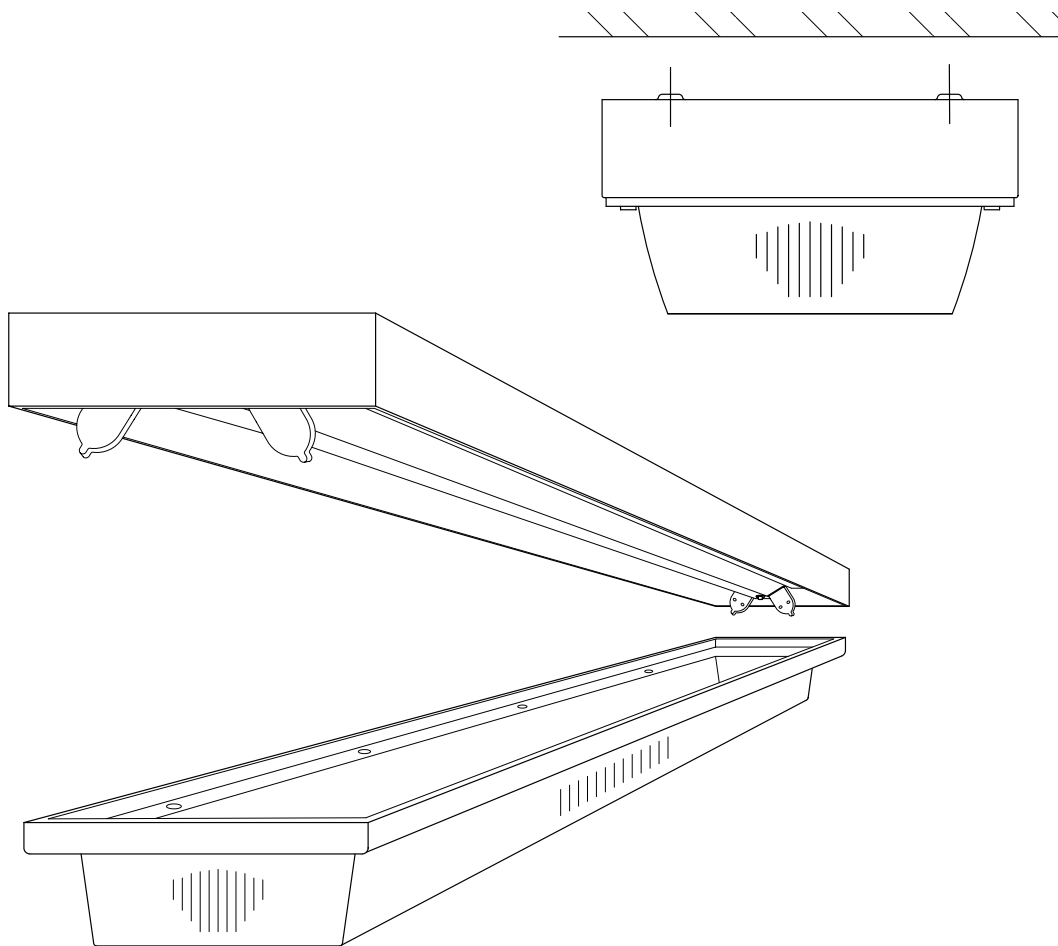




SUGGESTED MOUNTING FOR J4 VANDALUME®

1. Remove lens frame assembly by loosening captive screws.
2. Remove reflector/ballast cover by turning two (2) quarter-turn fasteners.
3. Mount luminaire utilizing four (4) mounting holes provided.
4. Make all necessary wiring connections.
5. Replace reflector/ballast cover, install lamp(s), and lens.



Cleaning Instructions: Wipe luminaire with a soft cloth slightly dampened with warm, soapy water. On stainless steel units, tightly adhering deposits may be removed by using a stainless steel polishing powder. Never use steel wool or steel brushes on stainless steel. Always rub in the directions of the polish lines.

Note: All luminaires to be installed by a qualified electrician.
Mounting and electrical hardware not supplied by Paramount Industries unless otherwise noted.

REV 10/03