

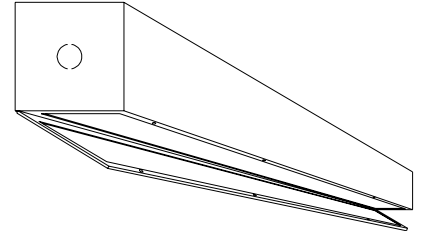


SUGGESTED MOUNTING FOR K1 6" x 6" LITE

SURFACE

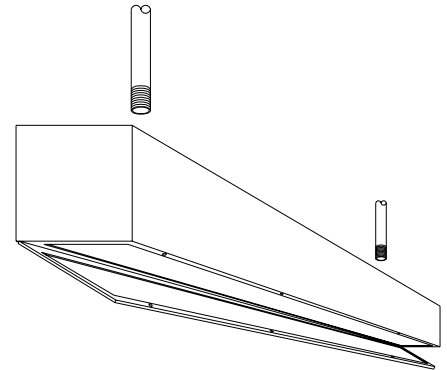
1. Loosen captive screws and open luminaire.
2. Remove reflector/ballast cover by turning two (2) quarter-turn fasteners.
3. Mount to surface utilizing four (4) mounting holes provided.
4. Make all necessary wiring connections.
5. Replace reflector/ballast cover, install lamp(s) and secure lens frame.

H.O. Models require 1-1/2" spacing from mounting surface (Brackets supplied).



PENDANT

1. Loosen captive screws and open luminaire.
2. Remove reflector/ballast cover by turning two (2) quarter-turn fasteners.
3. Mount to pendants.
4. Make all necessary wiring connections.
5. Replace reflector/ballast cover, install lamp(s) and lens frame.



Cleaning Instructions: Wipe luminaire with a soft cloth slightly dampened with warm, soapy water. On stainless steel units, tightly adhering deposits may be removed by using a stainless steel polishing powder. Never use steel wool or steel brushes on stainless steel. Always rub in the directions of the polish lines.

Note: All luminaires to be installed by a qualified electrician.
Mounting and electrical hardware not supplied by Paramount Industries unless otherwise noted.