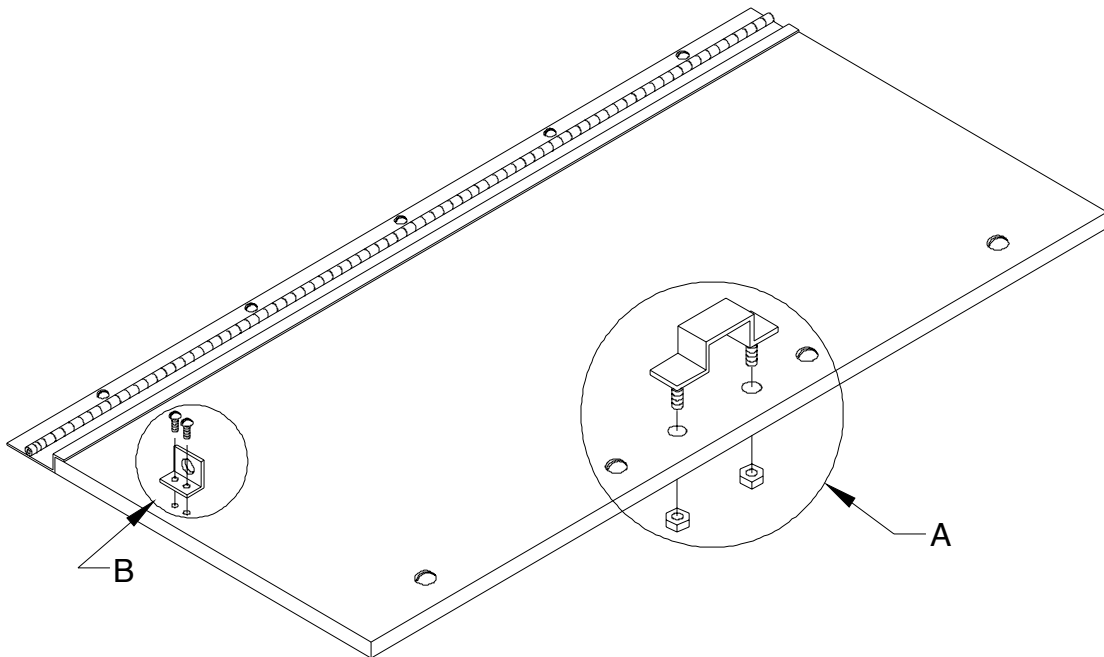




# REAR ACCESS GRID TROFFER INSTALLATION GUIDE

1. Place luminaire in grid ceiling in desired orientation.
2. Loosen rear access door by turning (4) 1/4 turn fasteners and raising lid for access.  
Attach handle (A) to rear access lid as shown and secure with (2) 10-24 palnuts provided.
3. Attach door retainer bracket (B) to rear access door as shown with 6-32 x 1/4" screws (2 provided).
4. Raise door, swivel and lift prop rod (attached to luminaire), and place round projection of prop rod through hole in door retainer bracket. Door will now support itself.
5. Now make all necessary wire connections to luminaire.
6. Unhook prop rod, close and secure door.



**Cleaning Instructions:** Wipe luminaire with a soft cloth slightly dampened with warm, soapy water. On stainless steel units, tightly adhering deposits may be removed by using a stainless steel polishing powder. Never use steel wool or steel brushes on stainless steel. Always rub in the directions of the polish lines.

**Note:** All luminaires to be installed by a qualified electrician.  
Mounting and electrical hardware not supplied by Paramount Industries unless otherwise noted.