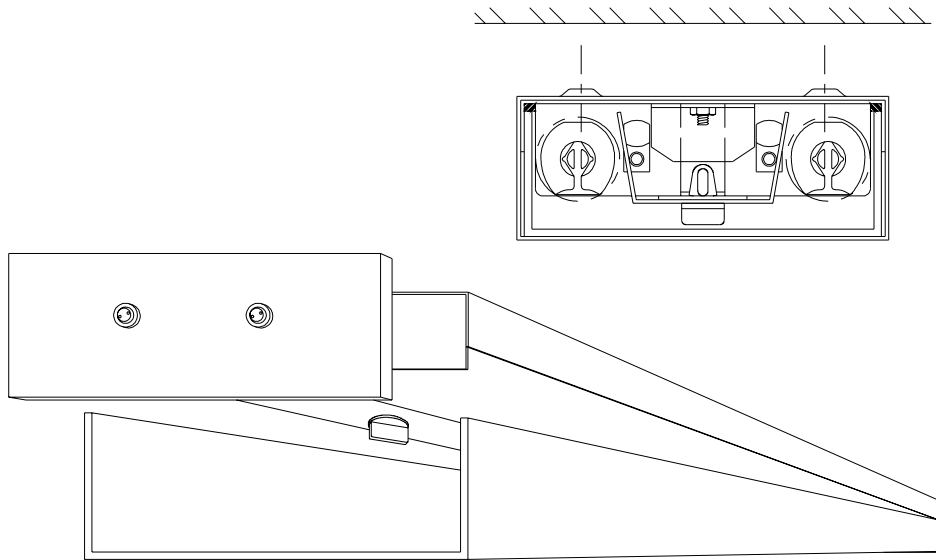




# ***SUGGESTED MOUNTING FOR Z5 SECURITY LITE***

1. Loosen captive screws with supplied tool, remove end caps.
2. Remove lens by grasping one end and removing from channel.
3. Remove reflector/ballast cover by turning two (2) quarter-turn fasteners.
4. Mount luminaire utilizing four (4) mounting holes provided.
5. Make all necessary wiring connections.
6. Replace reflector/ballast cover, install lamps, lens and end caps.



**Cleaning Instructions:** Wipe luminaire with a soft cloth slightly dampened with warm, soapy water. On stainless steel units, tightly adhering deposits may be removed by using a stainless steel polishing powder. Never use steel wool or steel brushes on stainless steel. Always rub in the directions of the polish lines.

**Note:** All luminaires to be installed by a qualified electrician.  
Mounting and electrical hardware not supplied by Paramount Industries unless otherwise noted.