

CRAFT LITE®

APPLICATIONS:

- UL/CUL Listed Wet Location
- Industrial & Commercial
- Transit

BENEFITS:

- Luminaires adaptable to your specific needs

FEATURES:

- Available in Stainless Steel construction
- Premium electronic ballast standard
- Every luminaire tested with lamps to assure customer satisfaction
- 5 year limited warranty
- Proudly made in **USA**

SPECIFICATIONS:

HOUSING:

Constructed of 20GA (.036) zinc coated steel for unmatched corrosion protection. Featuring a double channel, one welded inside the other, with space between the channel sides to capture the diffuser. Threaded hubs are continuously welded into the channel ends providing a sealed wireway access. Removable plugs seal the hubs when not utilized.

OPTIONAL PREMIUM MATERIALS:

- S3** - External metal components of 304 stainless steel.
- S4** - All metal components of 304 stainless steel.

REFLECTOR:

Fabricated of zinc coated steel, painted with a minimum reflectance of 88%.

END CAPS:

Die formed of 18GA (.048) stainless steel. A threaded, knurled ring secures the end cap to the luminaire housing. End caps secure lens.

GASKETING:

EPDM is used in the housing channels and end caps.

FINISH:

Painted surfaces are two mil white polyester enamel, special colors available.

LENS:

One piece nominal .125 white translucent cell cast virgin acrylic.

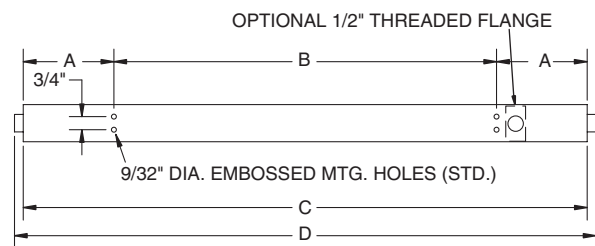
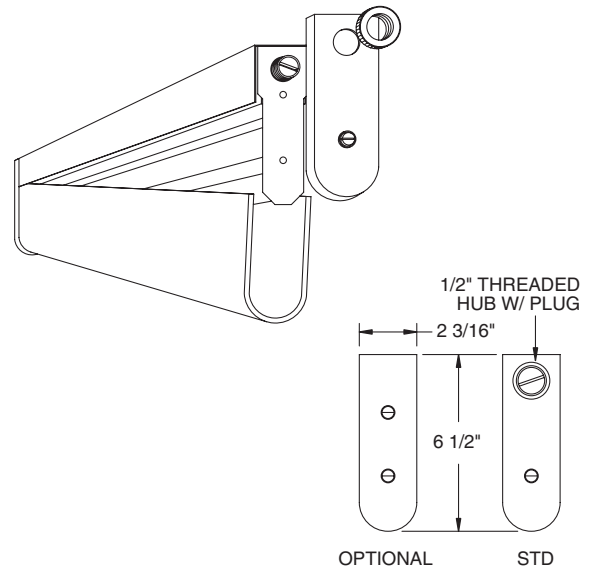
ELECTRICAL:

All ballasts and lampholders are UL Listed.

MOUNTING:

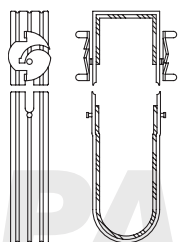
Surface, chain, or pendant options available **for covered ceiling installations.**

Continuous row luminaires manufactured with aligning pins and utilize joiner bands. For further information, contact Sales Representative.

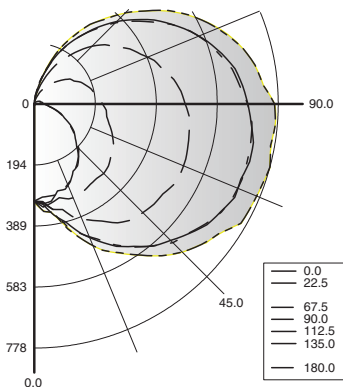


LENGTH	DIMENSIONS IN INCHES			
	A	B	C	D
2FT	4 1/32	16	24 1/16	25 3/16
3FT	10 1/32	16	36 1/16	37 3/16
4FT	8 1/32	32	48 1/16	49 3/16

C9 JOINER BAND



PHOTOMETRICS: For additional photometry, go to paramountlighting.com
 Model C92323, 4FT, White Reflector and Clear Acrylic Lens, 2 32W T8 Fluorescent Lamps, Lamp Lumen Rating = 2950



Coefficients of Utilization, Zonal Cavity Method

Floor Cavity Reflectance: 20%

RC	.8			.7			.5			.3			.1			0			
RW	.7	.5	.3	.7	.5	.3	.5	.3	.1	.5	.3	.1	.5	.3	.1	0			
R 0	87	87	87	87	82	82	82	82	71	71	71	61	61	61	61	53	53	53	48
C 1	76	70	66	61	70	65	61	57	56	53	50	48	45	43	40	38	36	32	32
R 2	67	59	52	47	62	55	49	44	47	42	38	39	36	32	33	30	27	24	24
3	60	51	43	37	56	47	40	35	40	35	30	34	29	26	28	24	21	18	18
4	55	44	36	30	50	41	34	8	35	29	24	29	25	21	24	20	17	14	14
5	50	39	31	25	46	36	29	24	31	25	20	26	21	17	21	17	14	12	12
6	46	34	27	21	42	32	25	20	27	22	17	23	18	15	19	15	12	10	10
7	42	31	23	18	39	29	22	17	24	19	15	21	16	13	17	13	10	8	8
8	39	28	21	16	36	26	19	15	22	17	13	19	14	11	15	12	9	7	7
9	36	25	18	14	33	23	17	13	20	15	11	17	13	10	14	11	8	6	6
10	34	23	16	12	31	21	15	11	18	13	10	16	12	9	13	10	7	5	5

Zonal Lumen Summary

Zone	Lumens	% Lamp	% Luminaire
0-30	321	5	7
0-40	595	10	13
0-60	1381	23	29
0-90	2853	48	61
90-120	1235	21	26
90-150	1791	30	38
90-180	1856	31	39
0-180	4709	80	100

Total Luminaire Optical Efficiency = 80.0%
 Spacing Criterion: 0° = 1.20, 90° = 2.65

CRAFT LITE® LUMINAIRE ORDERING INFORMATION:

C9	SERIES	LAMP QTY	LAMP TYPE	LENS	OPT MATERIAL	OPTIONS	VOLTAGE
C9	Wet Location	1		2 .125 Clear Acrylic (No Pattern) (Cell Cast) 3 .125 White Acrylic (base) (Cell Cast) 4 .140 50% DR Extruded Prismatic Acrylic (P20)		EMERGENCY (SPECIFY VOLTAGE) EM2 Bodine BDL700 WET/IOTA I-48-DL WET or similar EM3 Bodine B50/IOTA I-320-DL or similar EM4 Bodine BDL900 WET/IOTA I-40-DL WET or similar BALLASTS (SPECIFY VOLTAGE) D1 Lutron Dimming ECO-10 D2 Electronic Dimming D4 < 10% THD (Consult Factory) E0 Low Temp Electronic (N/A T12 RS & VHO) E2 2 Electronic Ballasts E9 Rapid Start Electronic Ballast FUSING F1 GLR/HLR Fusing (Fast) F2 GMF/HLR Fusing (Slow) LENSING H2 .150 Extra Heavy Clear Acrylic H3 .150 Extra Heavy White Acrylic J0 Lamp Sleeves (Specify Color) J8 Wire Guard (N/A Splash/Food Zones) MOUNTING M1 Pendant Mount (Pendants by Others) M2 Mounting Bracket Kit (Surface / Chain) M3 In-Row (Row Information Required) M9 Wall Mounting MISC P9 Special Paint Color (Provide Paint Code & Chip) R5 Specular Aluminum Reflector S1 Special Material (Consult Agent) T3 Tamper Resistant (Hex w/pin STD, Others Avail)	120V-277V/60Hz STD 347V/60Hz 50Hz & Other Voltages Available
14T5	F14T5	(2FT)	0°				
17	F17T8	(2FT)	0°				
21T5	F21T5	(3FT)	0°				
25	F25T8	(3FT)	0°				
28T5	F28T5	(4FT)	0°				
32	F32T8	(4FT)	0°				

***S3** Stainless Steel Exterior (**recommended for indirect exposure to water**)
***S4** Stainless Steel Complete (**recommended for direct exposure to water**)
*** Note:** If Stainless Steel is ordered, 304 SS Standard, 316 SS and other materials available, consult agent. Additional information regarding applications and proper Stainless Steel selection found on page 21 of printed catalog, or technical section of web site.

INDIVIDUAL UNITS STANDARD.
 Other Wattages and Lengths Available, Consult Factory.

Project Information:

Information subject to change without notice. Lamps supplied by others.
 © 2010 Paramount Industries, Inc. P.O. Box 259 Croswell, MI 48422