



# L1B Series

FLUORESCENT | SURFACE **S**



### 2 LAMP TUFF LITE IP-RATED APPLICATIONS:

- UL/CUL Listed Wet Location
- Industrial & Commercial
- UL Listed Marine (Inside, Drip-Proof)
- Transit

### BENEFITS:

- Luminaires adaptable to your specific needs

### FEATURES:

- **IP 67 rated**
- Premium electronic ballast standard
- Exterior fiberglass housing for corrosion protection
- Every luminaire tested with lamps to assure customer satisfaction
- 5 year limited warranty
- Proudly made in **USA**

## SPECIFICATIONS:

### HOUSING:

Exterior housing is one piece fiberglass construction with plugs on the ends to access the wireway.

**Marine:** Threaded hubs on the ends to access the wireway.

### REFLECTOR:

Fabricated of zinc coated steel, painted with a minimum reflectance of 88%.

### GASKETING:

Thermoset polyurethane, foam in place.

### LENS:

Linear ribbed clear acrylic  
Linear ribbed clear polycarbonate

### LATCHING:

Made of replaceable polycarbonate.

### ELECTRICAL:

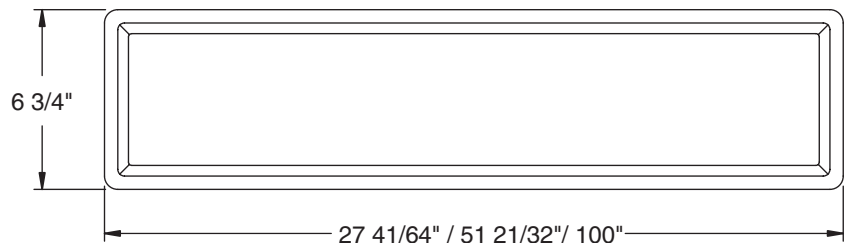
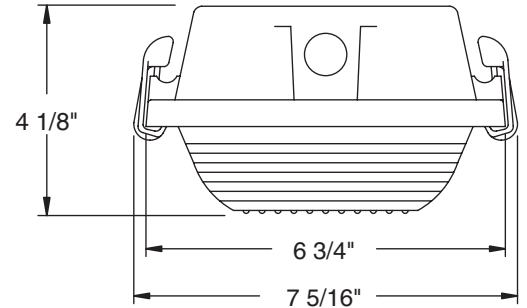
All ballasts and lampholders are UL Listed.

**Marine:** Utilizes a three gang terminal block for electrical connections.

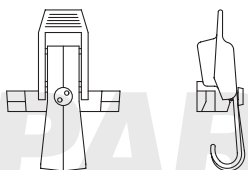
### MOUNTING:

Surface, for covered ceiling installations.

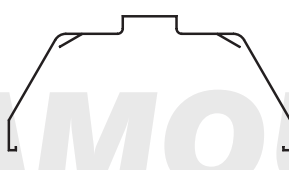
### LINEAR RIBBED CLEAR ACRYLIC AND POLYCARBONATE



TAMPER-PROOF LATCH  
ASSEMBLY



STAINLESS STEEL HANGER  
(2 PROVIDED PER LUMINAIRE)



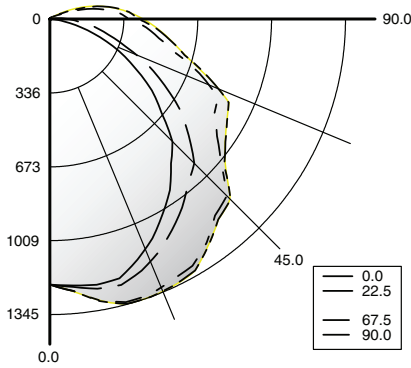
PARAMOUNT INDUSTRIES, INC.

# L1B Series



**PHOTOMETRICS:** For additional photometry, go to [paramountlighting.com](http://paramountlighting.com)

Model L1B2328, 4FT, White Reflector and Lined Polycarbonate Lens, 2 32W T8 Fluorescent Lamps, Lamp Lumen Rating = 2950



### Coefficients of Utilization, Zonal Cavity Method

Floor Cavity Reflectance: 20%

PCC	.8				.7				.5				.3				.1				0
PW>	.7	.5	.3	.1	.7	.5	.3	.1	.5	.3	.1	.5	.3	.1	.5	.3	.1	.5	.3	.1	0
R 0	100	100	100	100	97	97	97	97	92	92	92	87	87	87	82	82	82	80	80	80	80
C 1	90	85	80	76	87	82	78	75	77	74	71	73	70	68	69	67	65	63	63	63	63
R 2	81	73	66	61	78	71	65	60	67	62	57	63	59	55	59	56	53	51	51	51	51
3	73	63	56	50	70	61	54	49	58	52	47	55	50	46	52	48	44	42	42	42	42
4	67	56	48	41	64	54	47	41	51	45	40	48	43	38	46	41	37	35	35	35	35
5	61	49	41	35	59	48	40	35	46	39	34	43	38	33	41	36	32	30	30	30	30
6	56	44	36	30	54	43	36	30	41	34	29	39	33	29	37	32	28	26	26	26	26
7	52	40	32	27	50	39	32	26	37	31	26	35	30	25	34	29	25	23	23	23	23
8	48	36	29	24	47	36	28	23	34	27	23	32	27	22	31	26	22	20	20	20	20
9	45	33	26	21	44	33	26	21	31	25	20	30	24	20	29	23	20	18	18	18	18
10	42	31	24	19	41	30	23	19	29	23	18	28	22	18	26	21	18	16	16	16	16

### Zonal Lumen Summary

Zone	Lumens	% Lamp	% Luminaire
0-30	1060	18	21
0-40	1772	30	35
0-60	3274	55	65
0-90	4679	79	93
90-120	320	5	6
90-150	334	6	7
90-180	334	6	7
0-180	5014	85	100

Total Luminaire Optical Efficiency = 85.0%  
Spacing Criterion: 0° = 1.25, 90° = 1.53

## TUFF LITE ORDERING INFORMATION:

SERIES	LAMP QTY	LAMP TYPE	LENS	OPT MATERIAL	OPTIONS	VOLTAGE
<b>L1B</b> Wet Location	<b>1</b>		<b>4*</b> Linear Ribbed Clear Acrylic		<b>EMERGENCY (SPECIFY VOLTAGE)</b>	<b>120V-277V/60Hz STD</b>
<b>RL1B</b> Marine Inside	<b>2</b>		<b>8**</b> Linear Ribbed Clear Polycarbonate		<b>EM2</b> Bodine BDL700 WET/IOTA I-48-DL WET or similar	<b>347V/60Hz</b>
<b>ML1B</b> Inside Drip-proof	<b>T2</b> Tandem		* Available in 4 FT & 8 FT lengths		<b>EM3</b> Bodine B50/IOTA I-320-DL or similar	<b>50Hz &amp; Other Voltages Available</b>
	<b>T4</b> 2 Tandem		** N/A in 8 FT Lengths		<b>EM4</b> Bodine BDL900 WET/IOTA I-40-DL WET or similar	
					<b>BALLASTS (SPECIFY VOLTAGE)</b>	
					<b>D1</b> Lutron Dimming Eco-10 (15 Only)	
					<b>D2</b> Electronic Dimming	
					<b>D4</b> < 10% THD (Consult Factory)	
					<b>E2</b> 2 Electronic Ballasts	
					<b>E9</b> Rapid Start Electronic Ballast	
					<b>FUSING</b>	
					<b>F1</b> GLR/HLR Fusing (Fast)	
					<b>F2</b> GMF/HLR Fusing (Slow)	
					<b>LENSING</b>	
					<b>J0</b> Lamp Sleeves (Specify Color)	
					<b>MISC</b>	
					<b>T1</b> Stainless Steel Latches	
					<b>T3</b> Tamper Resistant Latches (Please Specify)	
					Add hyphens between options	
<b>40BX</b> F40T5IT (2FT) 0°						
<b>14T5</b> F14T5 (2FT) 0°						
<b>17</b> F17T8 (2FT) 0°						
<b>28T5</b> F28T5 (4FT) 0°						
<b>32</b> F32T8 (4FT) 0°						
<b>96T8</b> F96T8 (8FT) 0°						
<b>TANDEM LAMPS</b>						
Tandem lamps are tandem wired						
<b>14T5</b> F14T5 (4FT) 0°						
<b>17</b> F17T8 (4FT) 0°						
<b>28T5</b> F28T5 (8FT) 0°						
<b>32T8</b> F32T5 (8FT) 0°						
			<b>*S4</b> Stainless Steel Interior Metal			
			* Note:			
			If Stainless Steel is ordered,			
			304 SS Standard, 316			
			SS and other materials			
			available, consult agent.			

**INDIVIDUAL UNITS STANDARD.**  
Other Wattages Available, Consult Factory.

**Project Information:**

Information subject to change without notice. Lamps supplied by others.

© 2010 Paramount Industries, Inc. P.O. Box 259 Crosswell, MI 48422

