



TECHNISEAL® APPLICATIONS:

- UL/CUL Listed Damp Location
- Cleanroom (Classes 100-100,000; ISO Classes 5-9)
- NSF Certified Food Processing (Splash Zone, Food Zone)
- Industrial & Commercial
- Transit

BENEFITS:

- Luminaires adaptable to your specific needs
- Unique 2 inch low profile design

FEATURES:

- Premium electronic ballast standard
- Available in stainless steel construction
- Every luminaire tested with lamps to assure customer satisfaction
- 5 year limited warranty
- Proudly made in **USA**

SPECIFICATIONS:

HOUSING:

Constructed of nominal 20GA (.036) zinc coated steel for unmatched corrosion protection. Knockouts on the back of the luminaire provide wireway access. All seams are sealed with a long life acrylic sealant.

Splash and Food Zone: Welded, tapered, threaded flanges on the back provide a sealed wireway.

Food Zone: All external metal components of stainless steel (S3 option std).

LENS FRAME:

Exclusively designed, heavy duty, extruded, anodized aluminum with stainless steel captive screws used to hold the lens frame tight to the housing. The frame is supported by two cables while servicing.

Food Zone: All external metal components of stainless steel (S3 option std).

GASKETING:

An extruded, ribbed vinyl gasket seals the lens into the frame, with our exclusive mechanically held, extruded, silicone gasket used to seal the frame to the housing.

Food Zone: Silicone sealant is used to seal the lens into the frame, with EPDM sealing the frame to the housing.

FINISH:

Painted surfaces are two mil white polyester enamel with a minimum reflectance of 88%, special colors available.

LENS:

.140 extruded prismatic acrylic with 50% DR content for durability, smooth side out.

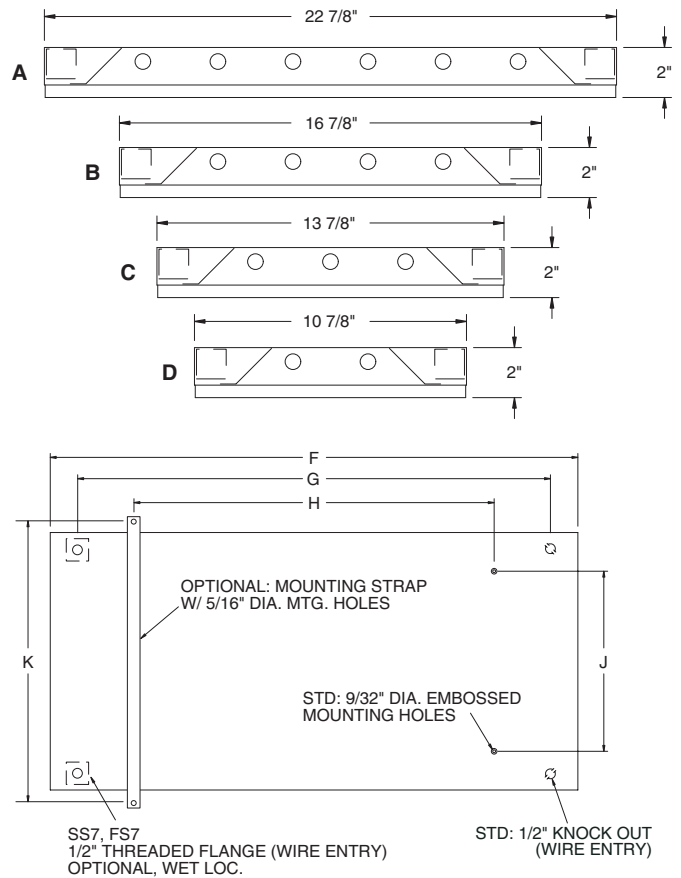
Food Zone: .156 extruded prismatic polycarbonate, smooth side out.

ELECTRICAL:

All ballasts and lampholders are UL Listed..

MOUNTING:

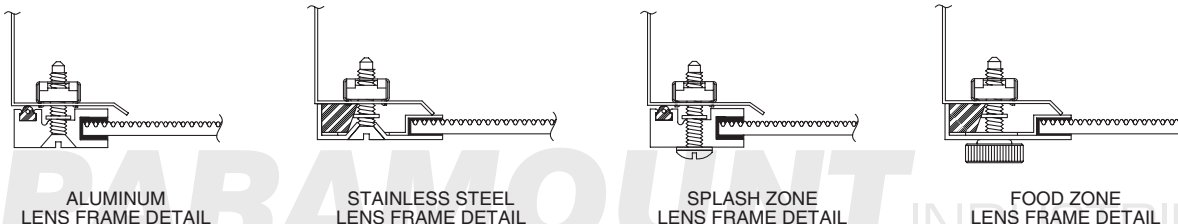
Surface or custom detail available for covered ceiling installations.



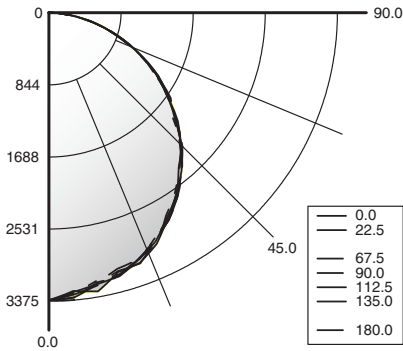
CROSS-SECTION (WIDTH)	DIMENSIONS IN INCHES				
	F	G	H	J	K
A 22 7/8"	22 7/8	20	16	16	24 1/8
	34 7/8	30	16	16	24 1/8
	46 7/8	42	32	16	24 1/8
B 16 7/8"	22 7/8	20	16	10	18 1/8
	34 7/8	30	16	10	18 1/8
	46 7/8	42	32	10	18 1/8

CROSS-SECTION (WIDTH)	DIMENSIONS IN INCHES				
	F	G	H	J	K
C 13 7/8"	22 7/8	20	16	6	15 1/8
	34 7/8	30	16	6	15 1/8
	46 7/8	42	32	6	15 1/8
D 10 7/8"	22 7/8	20	16	4 1/2	12 1/8
	34 7/8	30	16	4 1/2	12 1/8
	46 7/8	42	32	4 1/2	12 1/8

LENS FRAME DETAILS:



PHOTOMETRICS: For additional photometry, go to paramountlighting.com
 Model S7A628T54, 4FT, White Painted Interior and Prismatic Acrylic Lens, 6 28W T5 Fluorescent Lamps, Lamp Lumen Rating = 2900



Coefficients of Utilization, Zonal Cavity Method

Floor Cavity Reflectance: 20%

RC	.8				.7				.5				.3				.1				0
RW	.7	.5	.3	.1	.7	.5	.3	.1	.5	.3	.1	.5	.3	.1	.5	.3	.1	.5	.3	.1	0
R 0	65	65	65	65	63	63	63	63	61	61	61	58	58	58	56	56	56	55	55	55	55
C 1	59	57	54	52	58	55	53	51	53	51	50	51	49	48	49	48	47	45	45	45	45
R 2	54	49	45	42	52	48	45	42	46	43	41	44	42	40	43	41	39	38	38	38	38
3	49	43	39	35	48	42	38	35	41	37	34	39	36	34	38	35	33	32	32	32	32
4	45	38	33	30	44	37	33	29	36	32	29	35	31	29	34	31	28	27	27	27	27
5	41	34	29	26	40	33	29	25	32	28	25	31	28	25	30	27	25	23	23	23	23
6	38	31	26	22	37	30	26	22	29	25	22	28	25	22	27	24	22	20	20	20	20
7	35	28	23	20	34	27	23	20	27	22	19	26	22	19	25	22	19	18	18	18	18
8	33	25	21	18	32	25	21	17	24	20	17	24	20	17	23	20	17	16	16	16	16
9	31	23	19	16	30	23	19	16	22	18	16	22	18	16	21	18	15	14	14	14	14
10	29	21	17	14	28	21	17	14	21	17	14	20	17	14	20	16	14	13	13	13	13

Zonal Lumen Summary

Zone	Lumens	% Lamp	% Luminaire
0-30	2573	15	27
0-40	4199	24	44
0-60	7390	42	78
0-90	9462	54	100
90-120	6	0	0
90-150	6	0	0
90-180	6	0	0
0-180	9468	54	100

Total Luminaire Optical Efficiency = 54%
 Spacing Criterion: 0° = 1.23, 90° = 1.24

TECHNISEAL® SURFACE TROFFER ORDERING INFORMATION:

SERIES	WIDTH	LAMP QTY	LAMP TYPE	LENS	OPT MAT	OPTIONS	VOLTAGE
S7 Damp Location Cleanroom		D 10 7/8"		2 .125 Clear Acrylic (No Pattern)		EM1 Bodine LP500 DRY/IOTA ISL28 DRY or similar	120V-277V/60Hz STD 347V/60Hz
SS7 Splash Zone		C 13 7/8"		3 .125 White Acrylic		EM7 Bodine LP550 DRY/IOTA ISL-54 DRY or similar	50Hz & Other Voltages Available
FS7 Food Zone		A 16 7/8"		4 .140 Prismatic Acrylic (P12)(base)		F1 GLR/HLR Fusing (Fast)	
		B 22 7/8"		6 .125 Clear Polycarbonate (No Pattern)		F2 GMF/HLR Fusing (Slow)	
				7 .125 White Polycarbonate		H0 Special Lens (Specify)	
				8 .156 Prismatic Polycarbonate (P12)		H2 .150 Extra Heavy Clear Acrylic	
				9 .187 Tempered Glass (P62)		H3 .150 Extra Heavy White Acrylic	
				LENSES AVAILABLE FOR FOOD ZONE		H5 .156 C73 Tempered Glass	
				6 .125 Clear Polycarbonate (No Pattern)		H6 .187 Clear Tempered Glass	
				7 .125 White Polycarbonate		J2 .060 Clear Acrylic Overlay	
				8 .156 Prismatic Polycarbonate (P12) (base)		J6 .080 Clear Polycarbonate Overlay	
				9 .187 Tempered Glass (P62)		J9 RFI Lens (Specify Pattern)	
				*S2 Stainless Steel Housing		K3 .187 KSH-12 Acry-Tuf Acrylic	
				*S3 Stainless Steel Exterior		K6 External Prisms (N/A Splash/Food Zones)	
				*SS Stainless Steel Lens Frame Only		MOUNTING	
				* Note:		M0 Marine Mounting Straps	
				If Stainless Steel is ordered, 304 SS Standard, 316 SS and other materials available, consult agent.		M2 Mounting Bracket Kit (Surface / Chain)	
						MISC	
						P9 Special Paint Color (Provide Paint Code & Chip)	
						S1 Special Material (Consult Agent)	
						T3 Tamper Resistant (Hex w/pin STD, Others Avail)	
						Add hyphens between options	

NSF Food Processing Note:
 Food Zone (F prefix) luminaires come in DIRECT CONTACT with food.
 Splash Zone (S prefix) units may become soiled, but are outside the danger of recontamination.

Project Information:

Information subject to change without notice. Lamps supplied by others.
 © 2010 Paramount Industries, Inc. P.O. Box 259 Croswell, MI 48422

