



PIT LITE APPLICATIONS:

- UL/CUL Hazardous Location (Class I, Division 2; Groups A,B,C & D)

BENEFITS:

- Luminaires adaptable to your specific needs

FEATURES:

- Premium electronic ballast standard
- Every luminaire tested with lamps to assure customer satisfaction
- 5 year limited warranty
- Proudly made in **USA**

SPECIFICATIONS:

HOUSING:

Constructed of nominal 20GA (.036) zinc coated steel for unmatched corrosion protection. Two welded, tapered, threaded hubs on the ends of the ballast compartment provide a sealed wireway access. All seams are sealed with long life acrylic sealant.

REFLECTOR:

Fabricated of zinc coated steel, painted with a minimum reflectance of 88%.

GASKETING:

Extruded EPDM is used to seal the lens to the housing.

FINISH:

Painted surfaces are two mil of white polyester enamel.

LENS:

.250 etched clear cell cast virgin acrylic. Quarter-turn camloc fasteners hold the lens tight to the housing.

ELECTRICAL:

All ballasts and lampholders are UL Listed.

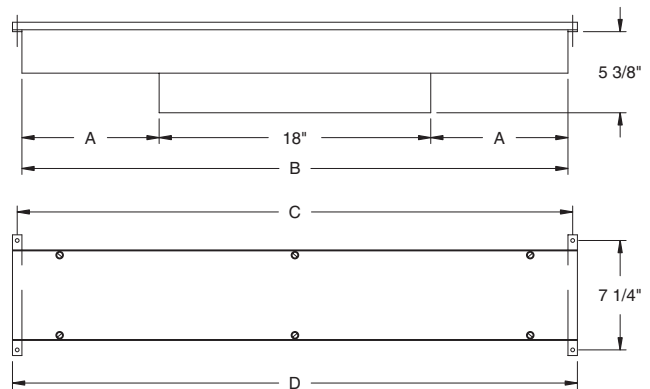
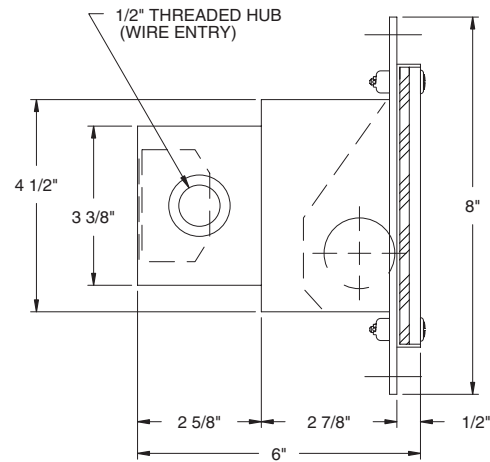
MOUNTING:

Recessed or custom detail available.

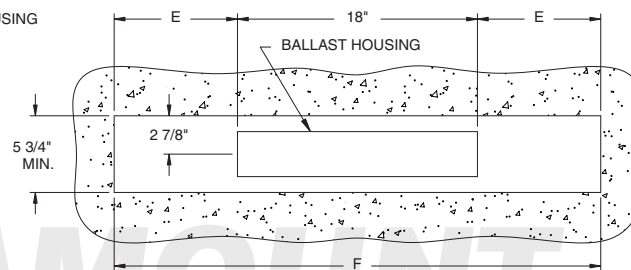
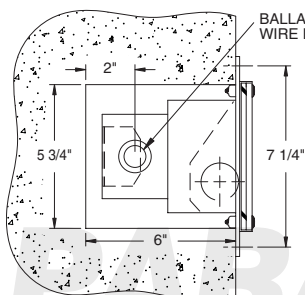
TEMPERATURE CODE:

Class I, Div. 2 = T4 (135°C)

(No fixture surface exposed to the hazardous atmosphere will exceed this temperature. Based on 40°C (104°F) ambient.)



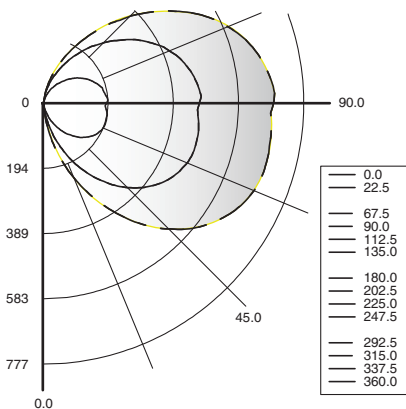
LENGTH	DIMENSIONS IN INCHES					
	A	B	C	D	E	F
3 FT	9 3/32	36 3/16	37	37 5/8	9 1/4	36 1/2
4 FT	15 3/32	48 3/16	49	49 5/8	15 1/4	48 1/2



Note: No mud box is supplied with this model. Space must be framed out prior to pouring concrete.

PHOTOMETRICS: For additional photometry, go to paramountlighting.com

Model ZP91328, White Interior and Etched Clear Acrylic Lens, 1 32W T8 Fluorescent Lamp, Lamp Lumen Rating = 3050



Coefficients of Utilization, Zonal Cavity Method

Floor Cavity Reflectance: 20%

RC	.8				.7				.5				.3				.1				0
RW	.7	.5	.3	.1	.7	.5	.3	.1	.5	.3	.1	.5	.3	.1	.5	.3	.1	.5	.3	.1	0
R 0	72	72	72	72	67	67	67	67	57	57	57	48	48	48	40	40	40	36	36	36	36
C 1	62	57	53	49	57	52	49	45	44	41	38	36	34	32	29	27	25	22	22	22	22
R 2	54	47	42	37	50	43	38	34	36	32	28	29	26	23	23	20	18	15	15	15	15
3	49	40	34	29	44	37	31	26	30	26	22	24	21	18	19	16	14	11	11	11	11
4	44	35	28	23	40	32	26	21	26	21	17	21	17	14	16	13	11	8	8	8	8
5	40	30	24	19	36	28	22	17	23	18	14	18	14	11	14	11	8	6	6	6	6
6	36	27	20	16	33	24	19	14	20	15	12	16	12	9	12	9	7	5	5	5	5
7	33	24	17	13	30	22	16	12	18	13	10	14	10	8	11	8	6	4	4	4	4
8	31	21	15	11	28	19	14	10	16	12	8	13	9	6	10	7	5	3	3	3	3
9	28	19	13	10	26	18	12	9	14	10	7	12	8	6	9	6	4	2	2	2	2
10	26	17	12	8	24	16	11	8	13	9	6	11	7	5	8	5	3	2	2	2	2

Zonal Lumen Summary


Zone	Lumens	% Lamp	% Luminaire
0-30	54	1.8	2.6
0-40	134	4.4	6.6
0-60	436	14.3	21.3
0-90	1109	36.4	54.1
90-120	629	20.6	30.7
90-130	765	25.1	37.4
90-150	908	29.8	44.3
90-180	940	30.8	45.9
0-180	2049	67.2	100

Total Luminaire Optical Efficiency = 67.2%
Spacing Criterion: 0° = 5.44, 90° = 0.04

FLUORESCENT PIT LITE ORDERING INFORMATION:

ZP9 SERIES	1 LAMP QTY	LAMP TYPE	8 LENS	OPTIONS	VOLTAGE
ZP9 Hazardous		8 .250 Etched Clear Acrylic		BALLASTS (SPECIFY VOLTAGE) D4 < 10% THD (Consult Factory) E9 Rapid Start Electronic Ballast FUSING F1 GLR/HLR Fusing (Fast) F2 GMF/HLR Fusing (Slow) Add hyphens between options	120V-277V/60Hz STD 347V/60Hz 50Hz & Other Voltages Available

25	F25T8	(3FT)	0°
32	F32T8	(4FT)	0°
36H	F36T12/HO	(3FT)	-20°
48H	F48T12/HO	(4FT)	-20°

Hazardous Location:    US

Project Information:

Information subject to change without notice. Lamps supplied by others.

© 2010 Paramount Industries, Inc. P.O. Box 259 Croswell, MI 48422