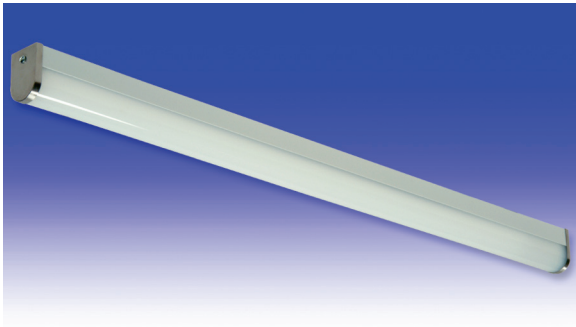




C0 Series

FLUORESCENT | SURFACE **S**



CRAFT LITE®

APPLICATIONS:

- UL/CUL Listed Wet Location
- NSF Certified Food Processing (Splash Zone, Food Zone)
- Industrial & Commercial
- UL Listed Marine (Inside, Inside Drip-Proof)
- Transit

BENEFITS:

- Luminaires adaptable to your specific needs

FEATURES:

- Available in Stainless Steel construction
- Premium electronic ballast standard
- Every luminaire tested with lamps to assure customer satisfaction
- 5 year limited warranty
- Proudly made in **USA**

SPECIFICATIONS:

HOUSING:

Constructed of 20GA (.036) zinc coated steel for unmatched corrosion protection. Featuring a double channel, one welded inside the other, with space between the channel sides to capture the diffuser. Threaded hubs are continuously welded into the channel ends providing a sealed wireway access. Removable plugs seal the hubs when not utilized.

Food Zone: All external metal components of stainless steel (S3 option std).

OPTIONAL PREMIUM MATERIALS:

- S2** - 304 stainless steel outer channel.
- S3** - External metal components of 304 stainless steel.
- S4** - All metal components of 304 stainless steel.

REFLECTOR:

Fabricated of zinc coated steel, painted with a minimum reflectance of 88%.

END CAPS:

Die formed of 18GA (.048) stainless steel. A threaded, knurled ring secures the end cap to the luminaire housing. End caps secure lens.

Marine: A threaded, knurled ring secures the end cap to the luminaire housing. End caps secure lens.

GASKETING:

EPDM is used in the housing channels and neoprene end caps.

FINISH:

Painted surfaces are two mil of white polyester enamel, special colors available.

LENS:

One piece nominal .125 white translucent cell cast virgin acrylic.

ELECTRICAL:

All ballasts and lampholders are UL Listed.

Marine: Utilizes a three gang terminal block for electrical connections.

MOUNTING:

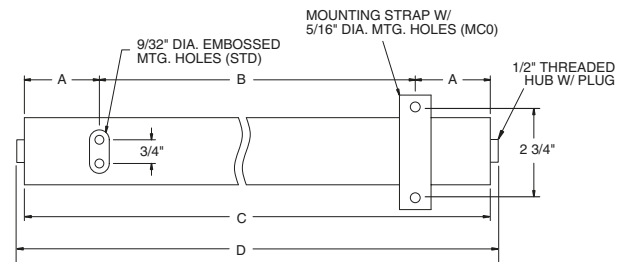
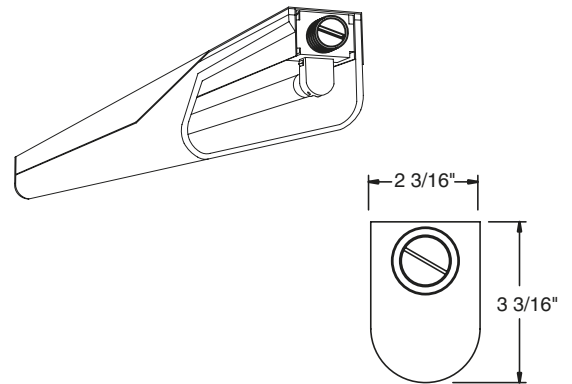
Surface, chain, or pendant options available

for covered ceiling installations.

For further information, contact Sales Representative.

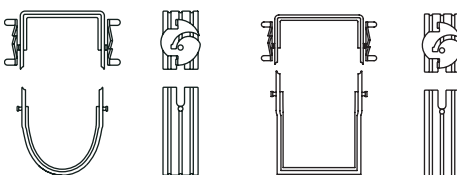
Splash and Food Zone: Surface for covered ceiling installations only.

Marine: Surface for covered ceiling installations only.

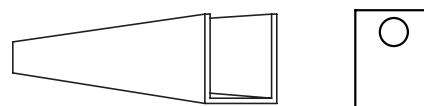


LENGTH	DIMENSIONS IN INCHES			
	A	B	C	D
2 FT T5	2 3/8	18	22 3/4	23 7/8
2 FT	3 1/8	18	24 3/16	25 5/16
3 FT T5	5 5/16	24	34 5/8	35 3/4
3 FT	6 1/8	24	36 3/16	37.5/16
4 FT T5	5 3/16	36	46 3/8	47 1/2
4 FT	6 1/8	36	48 3/16	49 5/16

C0 JOINER BAND



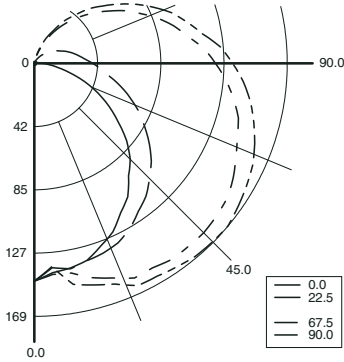
SQUARE POLYCARBONATE LENS AND END CAP





PHOTOMETRICS: For additional photometry, go to paramountlighting.com

Model C0114T53, 2FT, White Reflector and White Acrylic Lens, 1 14W T5 Fluorescent Lamp, Lamp Lumen Rating = 1350



Coefficients of Utilization, Zonal Cavity Method

Floor Cavity Reflectance: 20%

RC	.8				.7				.5				.3				.1				0
RW	.7	.5	.3	.1	.7	.5	.3	.1	.5	.3	.1	.5	.3	.1	.5	.3	.1	.5	.3	.1	0
R 0	83	83	83	83	79	79	79	79	71	71	71	64	64	64	58	58	58	54	54	54	54
C 1	73	68	64	60	69	64	61	57	58	55	52	51	49	47	46	44	42	39	38	35	33
R 2	65	58	52	46	61	55	49	44	49	44	40	43	40	37	38	35	33	30	33	30	30
3	59	50	43	37	55	47	41	36	42	37	33	37	33	29	33	29	27	24	24	24	24
4	53	43	36	31	50	41	34	29	37	31	27	33	28	24	29	25	22	20	20	20	20
5	49	38	31	26	46	36	30	25	32	27	23	29	24	21	26	22	19	16	16	16	16
6	45	34	27	22	42	32	26	21	29	24	19	26	21	18	23	19	16	14	14	14	14
7	41	31	24	19	39	29	26	18	26	21	17	23	19	15	21	17	14	12	12	12	12
8	38	28	21	17	36	26	23	16	24	19	15	21	17	14	19	15	12	11	11	11	11
9	35	25	19	15	33	24	18	14	22	17	13	20	15	12	18	14	11	9	9	9	9
10	33	23	17	13	31	22	16	13	20	15	12	18	14	11	16	13	10	8	8	8	8

Zonal Lumen Summary

Zone	Lumens	% Lamp	% Luminaire
0-30	121	9	12
0-40	210	16	21
0-60	424	31	43
0-90	733	54	74
90-120	193	14	19
90-150	259	19	26
90-180	264	20	26
0-180	998	74	100

Total Luminaire Optical Efficiency = 74%
Spacing Criterion: 0° = 1.19, 90° = 1.72

CRAFT LITE® LUMINAIRE ORDERING INFORMATION:

SERIES	LAMP QTY	LAMP TYPE	LENS	OPT MAT	OPTIONS	VOLTAGE
C0 Wet Location SC0 Splash Zone FC0 Food Zone RC0 Marine Inside MCO Inside Drip-proof	1		2 .125 Clear Acrylic (No Pattern) 3 .125 White Acrylic (base) 4 .125 Prismatic Acrylic (P4) 6 .125 Clear Polycarbonate (No Pattern) 7 .125 White Polycarbonate 8 .156 Prismatic Polycarbonate (P12)		EM1 Emergency (Specify Voltage) BALLASTS (Specify Voltage) D2 Electronic Dimming (T5 Only) D4 < 10% THD (Consult Factory)	120V-277V/60 Hz STD 347V/60Hz 50Hz & Other Voltages Available
14T5 F14T5 (2FT) 0° 17 F17T8 (2FT) 0° 21T5 F21T5 (3FT) 0° 25 F25T8 (3FT) 0° 28T5 F28T5 (4FT) 0° 32 F32T8 (4FT) 0°			LENSES AVAILABLE FOR FOOD ZONE 6 .125 Clear Polycarbonate (No Pattern) 7 .125 White Polycarbonate (base) 8 .156 Prismatic Polycarbonate (P12)		FUSING F1 GLR/HLR Fusing (Fast) F2 GMF/HLR Fusing (Slow)	
			Colored acrylic lens available, consult agent.		LENSING J8 Wire Guard (N/A Splash Zone/Food Zone) K8 Reflector Tape (Specify Location, Consult Factory)	
			*S2 Stainless Steel Outer Channel *S3 Stainless Steel Exterior *S4 Stainless Steel Complete		MOUNTING M1 Pendant Mount (Pendants By Others) M2 Mounting Bracket Kit (Surface / Chain) M3 In-Row (Row Information Required) M6 Angled Mounting Bracket (Consult Agent) M9 Wall Mounting	
			* Note: If Stainless Steel is ordered, 304 SS Standard 316 SS and other materials available, consult agent.		MISC P9 Special Paint Color (Provide Paint Code & Chip) R5 Specular Aluminum Reflector S1 Special Material (Specify) T3 Tamper Resistant (Hex w/pin STD, Others Avail) T6 Screw-on End Caps W5 Rear Wire Entry (Consult Factory)	

Add hyphens between options

INDIVIDUAL UNITS STANDARD.

Other Wattages and Lengths Available, Consult Factory.

NSF Food Processing Note:

Food Zone (F prefix) luminaires come in DIRECT CONTACT with food.
Splash Zone (S prefix) units may become soiled, but are outside the danger of recontamination.

Information subject to change without notice. Lamps supplied by others.

© 2010 Paramount Industries, Inc. P.O. Box 259 Crosswell, MI 48422

Project Information: