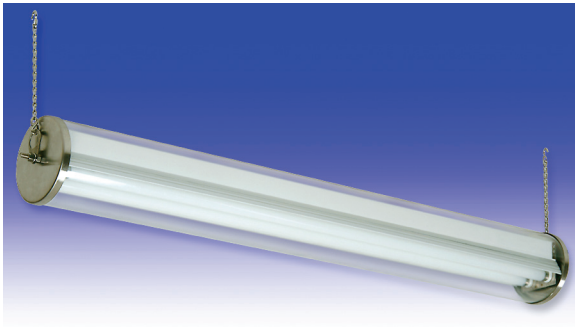




C1 Series

FLUORESCENT | SURFACE **S**



SHELL LITE

APPLICATIONS:

- UL/CUL Listed Wet Location
- NSF Certified Food Processing (Splash Zone)

BENEFITS:

- Luminaires adaptable to your specific needs

FEATURES:

- NEMA 4X Hose Down
- Durable Extruded Acrylic Enclosure
- Premium electronic ballast standard
- Every luminaire tested with lamps to assure customer satisfaction
- 5 year limited warranty
- Proudly made in **USA**

SPECIFICATIONS:

ENCLOSURE:

Nominal .125 thick wall, extruded clear acrylic.

INTERIOR LUMINAIRE:

Metal components are of nominal 18GA (.040) painted aluminum.

REFLECTOR:

Fabricated of aluminum, painted with a minimum reflectance of 88%.

END CAPS:

Spun from nominal 18GA (.048) 304 grade stainless steel.

GASKETING:

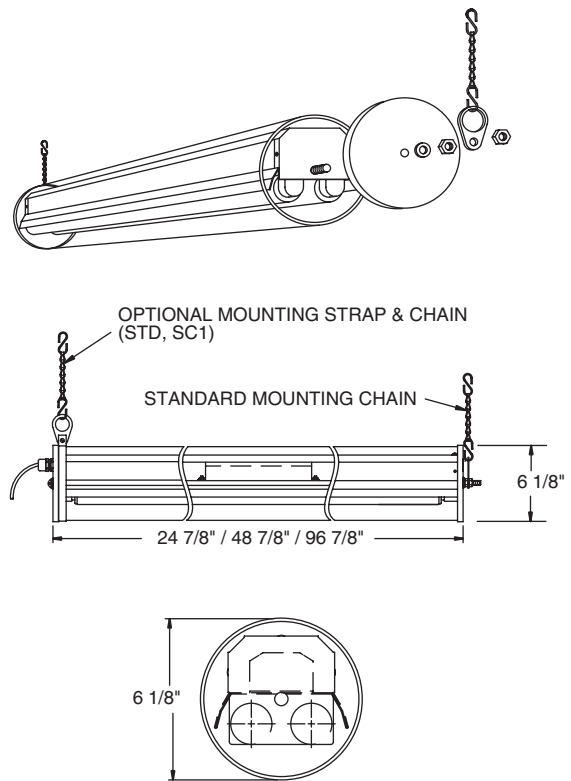
Extruded silicone is used in the end caps.

ELECTRICAL:

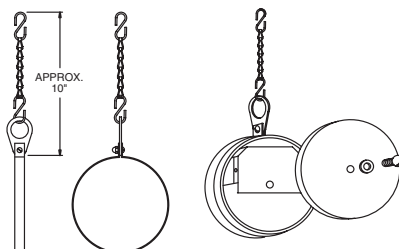
All ballasts and lampholders are UL Listed. For electrical connections, 12" of 16/3 SJO type cord is supplied out one end of luminaire, less plug.

MOUNTING:

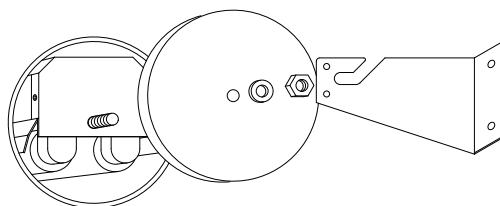
Chain or custom detail available.



M7 OPTION: MOUNTING STRAP & CHAIN DETAIL

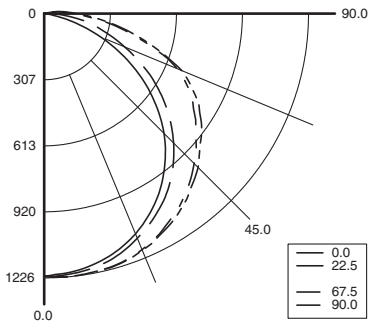


M9 WALL MOUNT OPTION





PHOTOMETRICS: For additional photometry, go to paramountlighting.com
Model C12322, 4FT, White Reflector and Clear Acrylic Lens, 2 32W T8 Fluorescent Lamps, Lamp Lumen Rating = 3050



Coefficients of Utilization, Zonal Cavity Method

Floor Cavity Reflectance: 20%

RC	.8			.7			.5			.3			.1			0		
RW	.7	.5	.3	.1	.7	.5	.3	.1	.5	.3	.1	.5	.3	.1	0			
R 0	81	81	81	81	79	79	79	79	76	76	76	72	72	72	69	69	69	67
C 1	73	70	66	63	71	68	65	62	65	62	60	62	60	58	59	57	56	54
R 2	66	60	55	50	64	58	54	50	56	52	48	53	50	47	51	48	46	44
3	60	52	46	41	58	51	45	41	49	44	40	46	42	39	45	41	38	36
4	55	46	39	34	53	45	39	34	43	38	33	41	37	33	39	36	32	31
5	50	41	34	29	48	40	34	29	38	33	29	37	32	28	35	31	28	26
6	46	36	30	25	45	36	30	25	34	29	25	33	28	24	32	27	24	23
7	43	33	27	22	41	32	26	22	31	26	22	30	25	21	29	25	21	20
8	39	30	24	20	38	29	23	19	28	23	19	27	23	19	26	22	19	17
9	37	27	21	17	36	27	21	17	26	21	17	25	20	17	24	20	17	16
10	34	25	19	16	33	25	19	16	24	19	16	23	19	15	22	18	15	14

Zonal Lumen Summary

Zone	Lumens	% Lamp	% Luminaire
0-30	978	16.0	23.3
0-40	1631	26.7	38.8
0-60	3010	49.4	71.6
0-90	4140	67.9	98.4
90-120	65	1.1	1.6
90-130	65	1.1	1.6
90-150	66	1.1	1.6
90-180	66	1.1	1.6
0-180	4205	68.9	100

Total Luminaire Optical Efficiency = 68.9%
Spacing Criterion: 0° = 1.24, 90° = 1.39

SHELL LITE ORDERING INFORMATION:

SERIES	LAMP QTY	LAMP TYPE	LENS	OPTIONS	VOLTAGE
C1 Wet Location SC1 Splash Zone	2 Standard T4 Tandem	2 .125 Clear Acrylic (No Pattern) Tube (base) 6 .125 Clear Polycarbonate (No Pattern) Tube		EMERGENCY (SPECIFY VOLTAGE) EM2 Bodine BDL700 WET/IOTA-48-DL WET or similar EM3 Bodine BDL500 WET/IOTA I-320-DL WET or similar EM4 Bodine BDL900 WET/IOTA I-40-DL WET or similar BALLASTS (SPECIFY VOLTAGE) D4 < 10% THD (Consult Factory) E2 2 Electronic Ballasts E9 Rapid Start Electronic Ballast FUSING F1 GLR/HLR Fusing (Fast) F2 GMF/HLR Fusing (Slow) MISC M7 Stainless Steel Hanger Strap M9 Wall Mounting (Consult Agent) W1 Cord & Plug (Consult Agent) W2 Quick Disconnect (Consult Agent) Add hyphens between options	120V-277V/60Hz STD 347V/60Hz 50Hz & Other Voltages Available
40BX F40T5TT (2FT) 0° 50BX F50T5TT (2FT) 0° 17 F17T8 (2FT) 0° 28T5 F28T (4FT) 0° 32 F32T8 (4FT) 0° 48H F48T12/HO (4FT) -20° 48T8H F48T8/HO (4FT) -20° 54T5H F54T5/HO (4FT) 0° 96H F96T12/HO (8FT) -20° 96T8 F96T8 (8FT) (59W) 50° 96T8H F96T8/HO (8FT) -20°					
TANDEM LAMPS Tandem lamps are tandem wired 28T5 F28T (8FT) 0° 32 F32T8 (8FT) 0° 54T5H F54T5/HO (8FT) 0°					

Other Wattages Available, Consult Factory.

NSF Food Processing Note:

Food Zone (F prefix) luminaires come in DIRECT CONTACT with food.
Splash Zone (S prefix) units may become soiled, but are outside the danger of recontamination.

Project Information:

Information subject to change without notice. Lamps supplied by others.

© 2010 Paramount Industries, Inc. P.O. Box 259 Crosswell, MI 48422