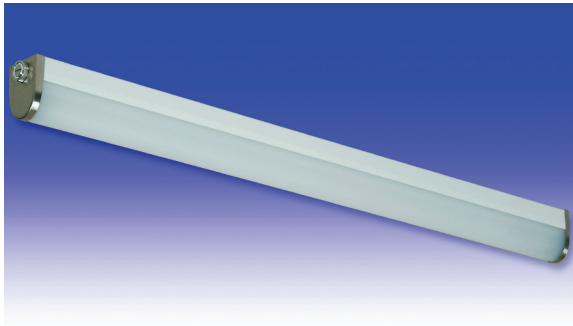


# C2 Series

**FLUORESCENT | SURFACE** S



**CRAFT LITE®**

**APPLICATIONS:**

- UL/CUL Listed Wet Location
- UL/CUL Hazardous Location (Class I, Division 2; Groups A, B, C & D; Class II, Division 2; Groups F & G)
- NSF Certified Food Processing (Splash Zone, Food Zone)
- Industrial & Commercial
- UL Listed Marine (Inside, Inside Drip-Proof)
- Transit

**BENEFITS:**

- Luminaires adaptable to your specific needs

**FEATURES:**

- Square version available
- Available in Stainless Steel construction
- Premium electronic ballast standard
- Every luminaire tested with lamps to assure customer satisfaction
- 5 year limited warranty
- Proudly made in **USA**

**SPECIFICATIONS:**

**HOUSING:**

Constructed of 20GA (.036) zinc coated steel for unmatched corrosion protection. Featuring a double channel, one welded inside the other, with space between the channel sides to capture the diffuser. Threaded hubs are continuously welded into the channel ends providing a sealed wireway access. Removable plugs seal the hubs when not utilized.

**Food Zone:** All external metal components of stainless steel (S3 option std).

**OPTIONAL PREMIUM MATERIALS:**

- S2** - 304 stainless steel outer channel.
- S3** - External metal components of 304 stainless steel.
- S4** - All metal components of 304 stainless steel.

**REFLECTOR:**

Fabricated of zinc coated steel, painted with a minimum reflectance of 88%.

**END CAPS:**

Die formed of 18GA (.048) stainless steel. A threaded, knurled ring secures the end cap to the luminaire housing. End caps secure lens.

**GASKETING:**

EPDM is used in the housing channels and end caps.

**FINISH:**

Painted surfaces are two mil of white polyester enamel, special colors available.

**LENS:**

One piece nominal .125 white translucent cell cast virgin acrylic. A two piece lens with center joiner band is available (H1 option).

**ELECTRICAL:**

All ballasts and lampholders are UL Listed.

**Marine:** Utilizes a three gang terminal block for electrical connections.

**MOUNTING:**

Surface, chain, or pendant options available

**for covered ceiling installations.**

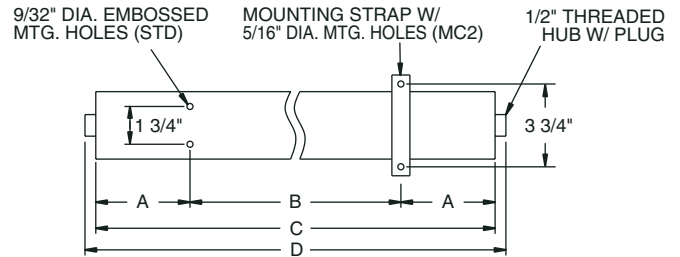
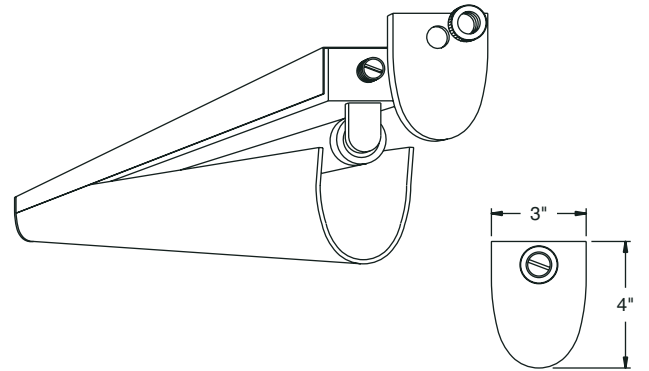
Continuous row luminaires manufactured with aligning pins and utilize joiner bands. Surface mounted HO luminaires require a minimum 1 1/2" clearance (*Bracket kit supplied*). For further information, contact Sales Representative.

**Splash and Food Zone:** Surface for covered ceiling installations only.

**Marine:** Surface for covered ceiling installations only.

**TEMPERATURE CODE:**

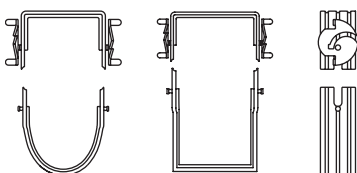
Class I, Div. 2= T4 (135°C); Class II, Div. 2= T3B (165°C)



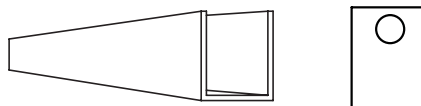
1/2" THREADED FLANGE (OPTIONAL, WET LOC.)

LENGTH	DIMENSIONS IN INCHES			
	A	B	C	D
10 1/2"	1 3/4	6	9 1/2	10 5/8
13"	3	6	12	13 1/8
16"	2 1/2	10	15	16 1/8
19"	4	10	18	19 1/8
2 FT	4 1/2	16	25	26 1/8
2 FT T5	3 11/16	16	23 3/8	24 1/2
3 FT	10 1/2	16	37	38 1/8
3 FT T5	9 5/8	16	35 1/4	36 3/8
4 FT	8 1/2	32	49	50 1/8
4 FT T5	7 1/2	32	47	48 1/8
6 FT TDM	13	48	74	75 1/8
6 FT T5 TDM	10 25/32	48	69 9/16	70 11/16
8 FT TDM	17	64	98	99 1/8
8 FT T5 TDM	14 17/32	64	93 1/16	94 3/16

C2 JOINER BANDS



SQUARE POLYCARBONATE LENS AND END CAP





Hazardous Location:



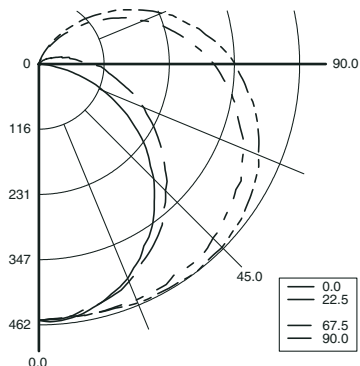
Food Processing:



# C2 Series

**PHOTOMETRICS:** For additional photometry, go to [paramountlighting.com](http://paramountlighting.com)

Model C21323, 4FT, White Painted Interior and White Acrylic Lens, 1 32W T8 Fluorescent Lamp, Lamp Lumen Rating = 3050

**Coefficients of Utilization, Zonal Cavity Method**

Floor Cavity Reflectance: 20%

RC	.8				.7				.5				.3				.1				0	
	.7	.5	.3	.1	.7	.5	.3	.1	.5	.3	.1	.5	.3	.1	.5	.3	.1	.5	.3	.1		
R 0	97	97	97	97	93	93	93	93	84	84	84	77	77	77	70	70	70	66				
C 1	85	80	75	70	81	76	71	67	69	65	62	62	59	56	56	53	51	48				
R 2	76	68	61	55	72	64	58	52	58	53	48	44	44	44	47	44	41	37				
3	69	58	50	44	65	55	48	42	50	44	39	45	40	36	40	36	33	30				
4	62	51	43	36	59	48	41	35	44	37	32	39	34	30	35	31	27	25				
5	57	45	37	30	54	43	35	29	39	32	27	35	30	25	31	27	23	21				
6	52	40	32	26	49	38	31	25	35	28	23	31	26	22	28	24	20	18				
7	48	36	28	23	45	34	27	22	31	25	20	28	23	19	26	21	17	15				
8	45	33	25	20	42	31	24	19	28	22	18	26	21	17	23	19	15	13				
9	42	30	22	18	39	28	22	17	26	20	16	24	19	15	22	17	14	12				
10	39	27	20	16	37	26	20	15	24	18	14	22	17	13	20	16	12	11				

**Zonal Lumen Summary**

Zone	Lumens	% Lamp	% Luminaire
0-30	367	12.0	14.0
0-40	623	20.4	23.7
0-60	1221	40.0	46.6
0-90	2034	66.7	77.5
90-120	457	15.0	17.4
90-130	528	17.3	20.1
90-150	585	19.2	22.3
90-180	589	19.3	22.5
0-180	2624	86	100

Total Luminaire Optical Efficiency = 86.0%

Spacing Criterion: 0° = 1.22, 90° = 1.55

**CRAFT LITE® LUMINAIRE ORDERING INFORMATION:**

SERIES	LAMP QTY	LAMP TYPE	LENS	OPT MATERIAL	OPTIONS	VOLTAGE
<b>C2</b> Wet Location	<b>1</b> Standard		<b>2</b> .125 Clear Acrylic (No Pattern)		<b>EMERGENCY</b> (SPECIFY VOLTAGE)	<b>120V-277V/60Hz STD</b>
<b>HC2*</b> Hazardous	<b>T2</b> Tandem		<b>3</b> .125 White Acrylic (base)		<b>EM2</b> Bodine BDL700 WET/IOTA I-48-DL WET or similar	347V/60Hz
<b>SC2</b> Splash Zone			<b>4</b> .125 Prismatic Acrylic (P4)		<b>EM3</b> Bodine BDL500 WET/IOTA I-320-DL WET or similar	50Hz & Other Voltages Available
<b>FC2</b> Food Zone			<b>6</b> .125 Clear Polycarbonate (No Pattern)		<b>EM4</b> Bodine BDL900 WET/IOTA I-40-DL WET or similar	
<b>RC2</b> Marine Inside			<b>7</b> .125 White Polycarbonate		<b>BALLASTS</b> (SPECIFY VOLTAGE)	
<b>MC2</b> Inside Drip-proof			<b>8</b> .156 Prismatic Polycarbonate (P12)		<b>D1</b> Lutron Dimming ECO-10	
			<b>9</b> Square Polycarbonate (White Standard. Clear & prismatic available.)		<b>D2</b> Electronic Dimming	
			<b>LENSES AVAILABLE FOR FOOD ZONE</b>		<b>D4</b> < 10% THD (Consult Factory)	
<b>18QD</b> 18W G24Q 4 Pin (10.5")	0°		<b>6</b> .125 Clear Polycarbonate (No Pattern) N/A > 4FT		<b>E0</b> Low-Temp Electronic (N/A T12 RS & VHO)	
<b>26QD</b> 26W G24Q 4 Pin (10.5")	0°		<b>7</b> .125 White Polycarbonate (N/A > 4FT) (base)		<b>E9</b> Rapid Start Electronic Ballast	
<b>18BX</b> F18T5TT (13")	0°		<b>8</b> .156 Prismatic Polycarbonate (P12) N/A > 4FT		<b>FUSING</b>	
<b>27BX</b> F24-F27T5TT (16")	0°		<b>9</b> Square Polycarbonate (White Standard. Clear & prismatic available.)		<b>F1</b> GLR/HLR Fusing (Fast)	
<b>39BX</b> F36-F39T5TT (19")	0°		Colored acrylic lens available, consult agent.		<b>F2</b> GMF/HLR Fusing (Slow)	
<b>40BX*</b> F40T5TT (2FT)	0°				<b>LENSING</b>	
<b>50BX</b> F50T5TT (2FT)	0°				<b>H1</b> Tandem Lens With Joiner Band	
<b>14T5*</b> F14T5 (2FT)	0°				<b>H2</b> .150 Extra Heavy Clear Acrylic	
<b>17*</b> F17T8 (2FT)	0°				<b>H3</b> .150 Extra Heavy White Acrylic	
<b>21T5*</b> F21T5 (3FT)	0°				<b>JO</b> Lamp Sleeves (Specify Color)	
<b>24T5H*</b> F24T5/HO (2FT)	0°				<b>J8</b> Wire Guard (N/A Splash/Food Zones)	
<b>25*</b> F25T8 (3FT)	0°				<b>K8</b> Reflector Tape (Specify Location, Consult Factory)	
<b>28T5*</b> F28T5 (4FT)	0°				<b>MOUNTING</b>	
<b>32*</b> F32T8 (4FT)	0°				<b>M1</b> Pendant Mount (Pendants by Others)	
<b>39T5H*</b> F39T5/HO (3FT)	0°				<b>M2</b> Mounting Bracket Kit (Surface / Chain)	
<b>48T8H</b> F48T8/HO (4FT)	-20°				<b>M3</b> In-Row (Row Information Required)	
<b>54T5H*</b> F54T5/HO (4FT)	0°				<b>M6</b> Angled Mounting Bracket (Consult Agent)	
					<b>M9</b> Wall Mounting	
					<b>MISC</b>	
					<b>P9</b> Special Paint Color (Provide Paint Code & Chip)	
					<b>R5</b> Specular Aluminum Reflector	
					<b>S1</b> Special Material (Consult Agent)	
					<b>T3</b> Tamper Resistant	
					<b>T6</b> Screw-on End Caps	
					<b>W5</b> Rear Wire Entry (Consult Factory)	
					<b>Y6</b> Flex-Loc® Lamp Holder (Med Bi-Pin Only: T8, T12)	
					Add hyphens between options	

\* Lamp Type Available for Hazardous Location.

INDIVIDUAL UNITS STANDARD.

Other Wattages and Lengths Available, Consult Factory.

NSF Food Processing Note:

Food Zone (F prefix) luminaires come in DIRECT CONTACT with food.

Splash Zone (S prefix) units may become soiled, but are outside the danger of recontamination.

Information subject to change without notice. Lamps supplied by others.

© 2010 Paramount Industries, Inc. P.O. Box 259 Crosswell, MI 48422

**Project Information:**