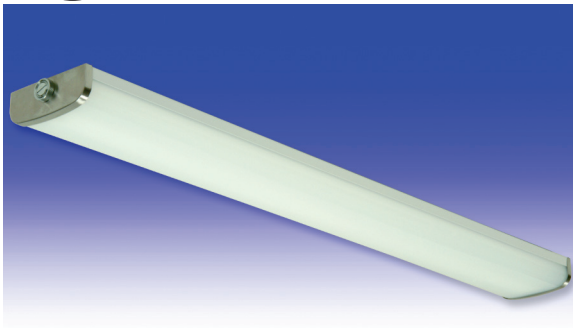




C5 Series

FLUORESCENT | SURFACE **S**



CRAFT LITE®

APPLICATIONS:

- UL/CUL Listed Wet Location
- UL/CUL Hazardous Location (Class I, Division 2; Groups A, B, C & D; Class II, Division 2; Groups F & G)
- NSF Certified Food Processing (Splash Zone, Food Zone)
- Industrial & Commercial
- UL Listed Marine (Inside, Inside Drip-Proof)
- Transit

BENEFITS:

- Luminaires adaptable to your specific needs

FEATURES:

- Available with **IP 54 rating**, add -IP54 suffix
- Square version available
- Available in Stainless Steel construction
- Premium electronic ballast standard
- Every luminaire tested with lamps to assure customer satisfaction
- 5 year limited warranty
- Proudly made in **USA**

SPECIFICATIONS:

HOUSING:

Constructed of 20GA (.036) zinc coated steel for unmatched corrosion protection. Featuring a double channel, one welded inside the other, with space between the channel sides to capture the diffuser. Threaded hubs are continuously welded into the channel ends providing a sealed wireway access. Removable plugs seal the hubs when not utilized.

Food Zone: All external metal components of stainless steel (S3 option std).

OPTIONAL PREMIUM MATERIALS:

- S2** - 304 stainless steel outer channel.
- S3** - External metal components of 304 stainless steel.
- S4** - All metal components of 304 stainless steel.

REFLECTOR:

Fabricated of zinc coated steel, painted with a minimum reflectance of 88%.

END CAPS:

Die formed of 18GA (.048) stainless steel. A threaded, knurled ring secures the end cap to the luminaire housing. End caps secure lens.

GASKETING:

EPDM is used in the housing channels and end caps.

FINISH:

Painted surfaces are two mil white polyester enamel, special colors available.

LENS:

One piece nominal .125 white translucent cell cast virgin acrylic.

ELECTRICAL:

All ballasts and lampholders are UL Listed.

Marine: Utilizes a three gang terminal block for electrical connections.

MOUNTING:

Surface, chain, or pendant options available
for covered ceiling installations.

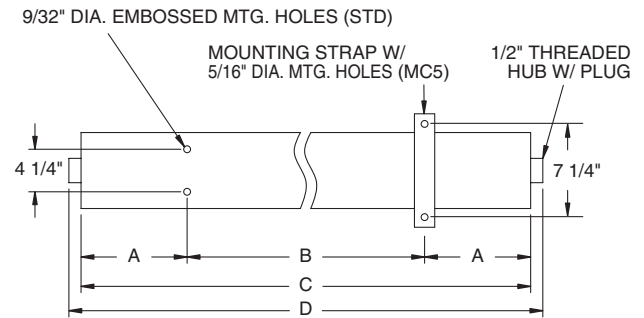
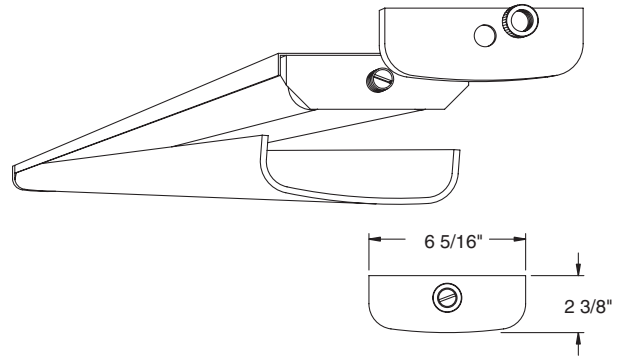
Continuous row luminaires manufactured with aligning pins and utilize joiner bands. For further information, contact Sales Representative.

Splash and Food Zone: Surface for covered ceiling installations only.

Marine: Surface for covered ceiling installations only.

TEMPERATURE CODE:

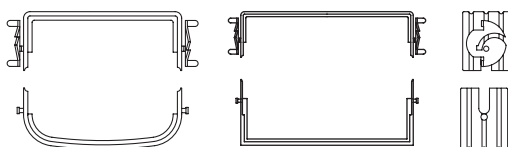
Class I, Div. 2= T4 (135°C); Class II, Div. 2= T3B (165°C)



1/2" THREADED FLANGE (OPTIONAL, WET LOC.)

LENGTH	DIMENSIONS IN INCHES			
	A	B	C	D
19"	4	10	18	19 1/8
2 FT T5	3 3/16	16	22 3/8	23 1/2
2 FT	4 1/16	16	24 1/8	25 1/4
3 FT T5	9 3/32	16	34 3/16	35 5/16
3 FT	10 1/16	16	36 1/8	37 1/4
4 FT T5	7	32	46	47 1/8
4 FT	8 1/16	32	48 1/8	49 1/4

C5 JOINER BANDS



SQUARE POLYCARBONATE LENS AND END CAP





Hazardous Location:



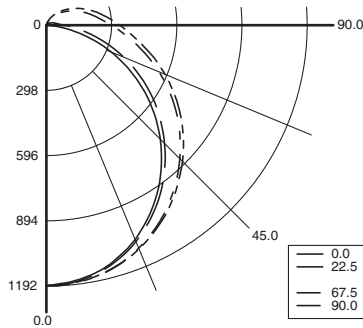
Food Processing:



C5 Series

**PHOTOMETRICS:** For additional photometry, go to paramountlighting.com

Model C52323, 4FT, Specular Reflector and White Acrylic Lens, 2 32W T8 Fluorescent Lamps, Lamp Lumen Rating = 3050

**Coefficients of Utilization, Zonal Cavity Method**

Floor Cavity Reflectance: 20%

RC	.8			.7			.5			.3			.1			0		
RW	.7	.5	.3	.1	.7	.5	.3	.1	.5	.3	.1	.5	.3	.1	.5	.3	.1	0
R 0	83	83	83	83	80	80	80	80	75	75	75	70	70	70	65	65	65	63
C 1	74	70	67	63	71	68	65	62	63	61	58	59	57	55	55	53	52	50
R 2	67	60	55	51	64	58	53	49	54	50	47	51	47	45	47	45	42	40
3	61	53	46	41	58	51	45	40	48	43	39	44	40	37	42	38	35	33
4	55	46	40	35	53	45	39	34	42	37	33	39	35	31	37	33	30	28
5	51	41	35	30	49	40	34	29	37	32	28	35	30	27	33	29	26	24
6	47	37	30	26	45	36	30	25	34	28	24	32	27	23	30	26	23	21
7	43	33	27	22	42	32	26	22	31	25	21	29	24	21	27	23	20	18
8	40	30	24	20	39	29	24	20	28	23	19	26	22	18	25	21	18	16
9	37	28	22	18	36	27	21	17	26	20	17	24	20	16	23	19	16	14
10	35	25	20	16	34	25	19	16	24	19	15	22	18	15	21	17	14	13

Zonal Lumen Summary

Zone	Lumens	% Lamp	% Luminaire
0-30	924	15.2	21.1
0-40	1518	24.9	34.7
0-60	2739	44.9	62.6
0-90	3868	63.4	88.4
90-120	394	6.5	9
90-130	453	7.4	10.3
90-150	502	8.2	11.5
90-180	508	8.3	11.6
0-180	4376	71.7	100

Total Luminaire Optical Efficiency = 71.7%

Spacing Criterion: 0° = 1.20, 90° = 1.30

CRAFT LITE® LUMINAIRE ORDERING INFORMATION:

SERIES	LAMP QTY	LAMP TYPE	LENS	OPT MATERIAL	OPTIONS	VOLTAGE
C5 Wet Location HCS* Hazardous SC5 Splash Zone FC5 Food Zone RC5 Marine Inside MCS Inside Drip-proof	2		2 .125 Clear Acrylic (No Pattern) 3 .125 White Acrylic (base) 4 .125 Prismatic Acrylic (P4) 6 .125 Clear Polycarbonate (No Pattern) 7 .125 White Polycarbonate 8 .156 Prismatic Polycarbonate (P12) 9 Square Polycarbonate (White Standard. Clear & prismatic available.)		EMERGENCY (SPECIFY VOLTAGE) EM2 Bodine BDL700 WET/IOTA I-48-DL WET or similar EM3 Bodine BDL500 WET/IOTA I-320-DL WET or similar EM4 Bodine BDL900 WET/IOTA I-40-DL WET or similar BALLASTS (SPECIFY VOLTAGE) D4 < 10% THD (Consult Factory) D8 Low-Temp Electronic (N/A 12 RS & VHO)* E2 2 Electronic Ballasts E9 Rapid Start Electronic Ballast FUSING F1 GLR/HLR Fusing (Fast) F2 GMF/HLR Fusing (Slow) LENSING H2 .150 Extra Heavy Clear Acrylic H3 .150 Extra Heavy White Acrylic JO Lamp Sleeves (Specify Color) J8 Wire Guard (N/A Splash/Food Zones) MOUNTING M1 Pendant Mount (Pendants by Others) M2 Mounting Bracket Kit (Surface / Chain) M3 In-Row (Row Information Required) M6 Angled Mounting Bracket (Consult Agent) M9 Wall Mounting MISC IP54 IP rated P9 Special Paint Color (Provide Paint Code & Chip) R5 Specular Aluminum Reflector S1 Special Material (Consult Agent) T3 Tamper Resistant T6 Screw-on End Caps W5 Rear Wire Entry (Consult Factory) * Available ONLY with standard painted reflector Add hyphens between options	120V-277V /60Hz STD 347V/60Hz 50Hz & Other Voltages Available
39BX F36-F39T5TT (19") 40BX F40T5TT (2FT) 14T5* F14T5 (2FT) 17* F17T8 (2FT) 21T5* F21T5 (3FT) 25* F25T8 (3FT) 28T5* F28T5 (4FT) 32* F32T8 (4FT)	0° 0° 0° 0° 0° 0° 0°		LENSES AVAILABLE FOR FOOD ZONE 6 .125 Clear Polycarbonate (No Pattern) 7 .125 White Polycarbonate (base) 8 .156 Prismatic Polycarbonate (P12) 9 Square Polycarbonate (White Standard. Clear & prismatic available.) Colored acrylic lens available, consult agent.			
			*S2 Stainless Steel Outer Channel *S3 Stainless Steel Exterior *S4 Stainless Steel Complete * Note: If Stainless Steel is ordered, 304 SS Standard 316 SS and other materials available, consult agent.			

* Lamp Type Available for Hazardous Location.

INDIVIDUAL UNITS STANDARD.**Other Wattages and Lengths Available, Consult Factory.****NSF Food Processing Note:**

Food Zone (F prefix) luminaires come in DIRECT CONTACT with food.

Splash Zone (S prefix) units may become soiled, but are outside the danger of recontamination.

Information subject to change without notice. Lamps supplied by others.

© 2010 Paramount Industries, Inc. P.O. Box 259 Crosswell, MI 48422

Project Information: