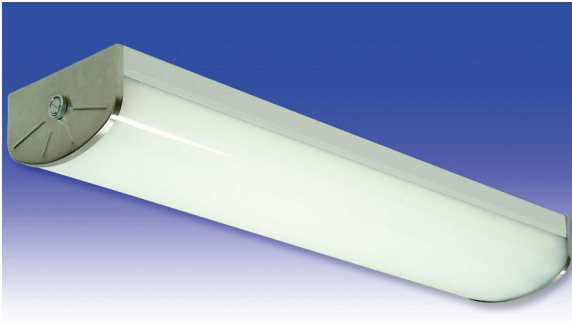




C8 Series

FLUORESCENT | SURFACE **S**



CRAFT LITE®

APPLICATIONS:

- UL/CUL Listed Wet Location
- UL/CUL Hazardous Location (Class I, Division 2; Groups A, B, C & D)
- Class II, Division 2; Groups F & G)
- NSF Certified Food Processing (Splash Zone, Food Zone)
- Industrial & Commercial
- UL Listed Marine (Inside, Inside Drip-Proof)
- Transit

BENEFITS:

- Luminaires adaptable to your specific needs

FEATURES:

- Square version available
- Available in Stainless Steel construction
- Electronic ballast standard, unless specified
- Every luminaire tested with lamps to assure customer satisfaction
- 5 year limited warranty
- Proudly made in **USA**

SPECIFICATIONS:

HOUSING:

Constructed of 20GA (.036) zinc coated steel for unmatched corrosion protection. Featuring a double channel, one welded inside the other, with space between the channel sides to capture the diffuser. Threaded hubs are continuously welded into the channel ends providing a sealed wireway access. Removable plugs seal the hubs when not utilized.

Food Zone: All external metal components of stainless steel (S3 option std).

OPTIONAL PREMIUM MATERIALS:

- S2** - 304 stainless steel outer channel.
- S3** - External metal components of 304 stainless steel.
- S4** - All metal components of 304 stainless steel.

REFLECTOR:

Fabricated of zinc coated steel, painted with a minimum reflectance of 88%.

END CAPS:

Die formed of 18GA (.048) stainless steel. A threaded, knurled ring secures the end cap to the luminaire housing. End caps secure lens.

GASKETING:

EPDM is used in the housing channels and end caps.

FINISH:

Painted surfaces are two mil of white polyester enamel. Special colors available.

LENS:

One piece nominal .125 white translucent cell cast virgin acrylic.

Food Zone: One piece nominal .125 white polycarbonate.

Optional two piece lens with center joiner band.

ELECTRICAL:

All ballasts and lampholders are UL Listed.

Marine: Utilizes a three gang terminal block for electrical connections.

MOUNTING:

Surface, chain, or pendant options available

for covered ceiling installations.

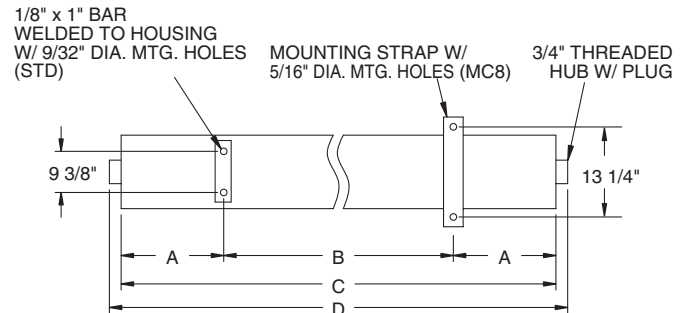
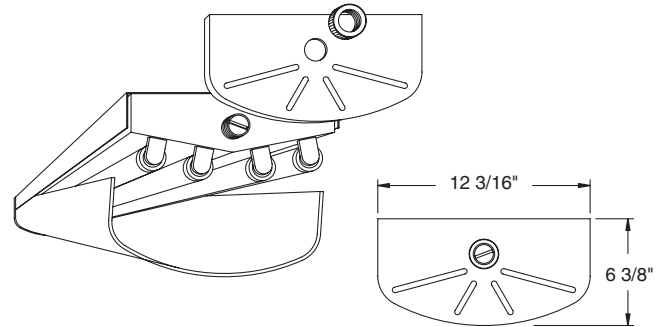
Continuous row luminaires manufactured with aligning pins and utilize joiner bands. Surface mounted HO luminaires require a minimum 1 1/2" clearance (Bracket kit supplied). For further information, contact Sales Representative.

Splash and Food Zone: Surface or continuous row for covered ceiling installations only.

Marine: Surface for covered ceiling installations only.

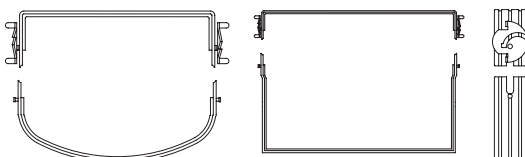
TEMPERATURE CODE:

Class I, Div. 2 = T4 (135°C); Class II, Div. 2 = T3B (165°C)



LENGTH	DIMENSIONS IN INCHES			
	A	B	C	D
13"	3	6	12	13 1/8
16"	2 1/2	10	15	16 1/8
19"	4	10	18	19 1/8
2 FT	4 3/32	16	24 3/16	25 5/16
2 FT T5	3 11/32	16	22 11/16	23 13/16
3 FT	10 3/32	16	36 3/16	37 5/16
4 FT	8 3/32	32	48 3/16	49 5/16
4 FT T5	7 1/8	32	46 1/4	47 3/8
6 FT	12 3/32	48	72 3/16	73 5/16
6 FT TDM	12 3/16	48	72 3/8	73 1/2
8 FT	16 3/32	64	96 3/16	97 5/16
8 FT TDM	16 3/16	64	96 3/8	97 1/2

C8 JOINER BAND (N/A MC8)



SQUARE POLYCARBONATE LENS AND END CAP



MARINE END CAP (MC8)

