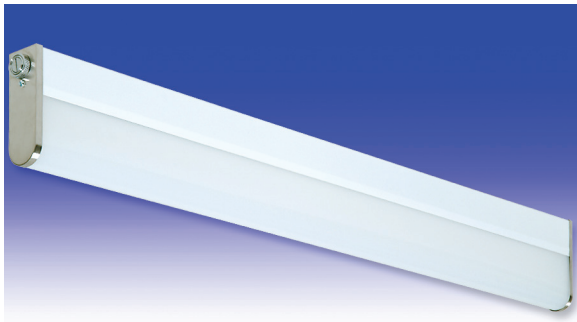


C9 Series

FLUORESCENT | SURFACE S



CRAFT LITE® APPLICATIONS:

- UL/CUL Listed Wet Location
- Industrial & Commercial
- Transit

BENEFITS:

- Luminaires adaptable to your specific needs

FEATURES:

- Available in Stainless Steel construction
- Premium electronic ballast standard
- Every luminaire tested with lamps to assure customer satisfaction
- 5 year limited warranty
- Proudly made in **USA**

SPECIFICATIONS:

HOUSING:

Constructed of 20GA (.036) zinc coated steel for unmatched corrosion protection. Featuring a double channel, one welded inside the other, with space between the channel sides to capture the diffuser. Threaded hubs are continuously welded into the channel ends providing a sealed wireway access. Removable plugs seal the hubs when not utilized.

OPTIONAL PREMIUM MATERIALS:

- S2** - 304 stainless steel outer channel.
- S3** - External metal components of 304 stainless steel.
- S4** - All metal components of 304 stainless steel.

REFLECTOR:

Fabricated of zinc coated steel, painted with a minimum reflectance of 88%.

END CAPS:

Die formed of 18GA (.048) stainless steel. A threaded, knurled ring secures the end cap to the luminaire housing. End caps secure lens.

GASKETING:

EPDM is used in the housing channels and end caps.

FINISH:

Painted surfaces are two mil white polyester enamel, special colors available.

LENS:

One piece nominal .125 white translucent cell cast virgin acrylic.

ELECTRICAL:

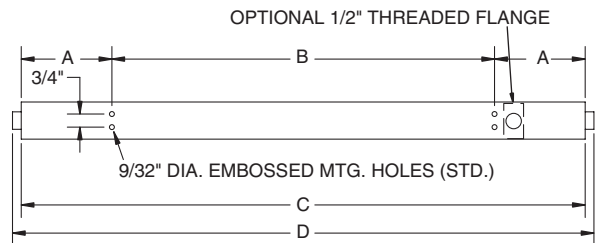
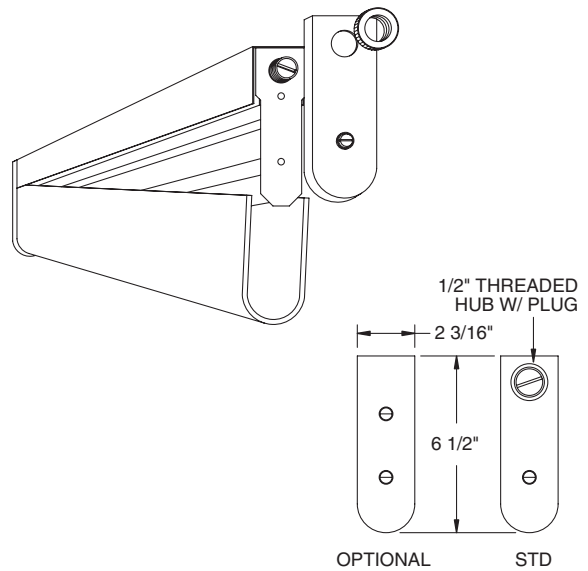
All ballasts and lampholders are UL Listed.

MOUNTING:

Surface, chain, or pendant options available

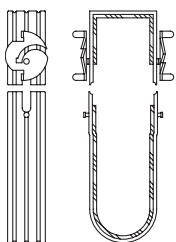
for covered ceiling installations.

Continuous row luminaires manufactured with aligning pins and utilize joiner bands. For further information, contact Sales Representative.



LENGTH	DIMENSIONS IN INCHES			
	A	B	C	D
2FT	4 1/32	16	24 1/16	25 3/16
3FT	10 1/32	16	36 1/16	37 3/16
4FT	8 1/32	32	48 1/16	49 3/16

C9 JOINER BAND



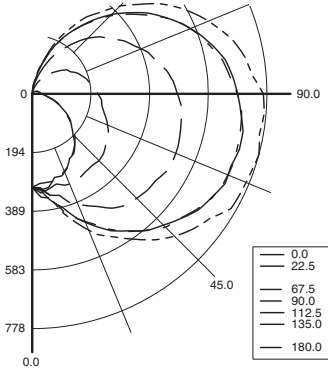


C9 Series



PHOTOMETRICS: For additional photometry, go to paramountlighting.com

Model C92323, 4FT, White Reflector and Clear Acrylic Lens, 2 32W T8 Fluorescent Lamps, Lamp Lumen Rating = 2950



Coefficients of Utilization, Zonal Cavity Method

Floor Cavity Reflectance: 20%

RC	.8				.7				.5				.3				.1				0
RW	.7	.5	.3	.1	.7	.5	.3	.1	.5	.3	.1	.5	.3	.1	.5	.3	.1	.5	.3	.1	0
R 0	87	87	87	87	82	82	82	82	71	71	71	61	61	61	53	53	53	48	48	48	0
C 1	76	70	66	61	70	65	61	57	56	53	50	48	45	43	40	38	36	32	32	32	32
R 2	67	59	52	47	62	55	49	44	47	42	38	39	36	32	33	30	27	24	24	24	24
3	60	51	43	37	56	47	40	35	40	35	30	34	29	26	28	24	21	18	18	18	18
4	55	44	36	30	50	41	34	8	35	29	24	29	25	21	24	20	17	14	14	14	14
5	50	39	31	25	46	36	29	24	31	25	20	26	21	17	21	17	14	12	12	12	12
6	46	34	27	21	42	32	25	20	27	22	17	23	18	15	19	15	12	10	10	10	10
7	42	31	23	18	39	29	22	17	24	19	15	21	16	13	17	13	10	8	8	8	8
8	39	28	21	16	36	26	19	15	22	17	13	19	14	11	15	12	9	7	7	7	7
9	36	25	18	14	33	23	17	13	20	15	11	17	13	10	14	11	8	6	6	6	6
10	34	23	16	12	31	21	15	11	18	13	10	16	12	9	13	10	7	5	5	5	5

Zonal Lumen Summary

Zone	Lumens	% Lamp	% Luminaire
0-30	321	5	7
0-40	595	10	13
0-60	1381	23	29
0-90	2853	48	61
90-120	1235	21	26
90-150	1791	30	38
90-180	1856	31	39
0-180	4709	80	100

Total Luminaire Optical Efficiency = 80.0%
Spacing Criterion: 0° = 1.20, 90° = 2.65

CRAFT LITE® LUMINAIRE ORDERING INFORMATION:

C9	SERIES	LAMP QTY	LAMP TYPE	LENS	OPT MATERIAL	OPTIONS	VOLTAGE
C9	Wet Location	1 2		2 .125 Clear Acrylic (No Pattern) 3 .125 White Acrylic (base) 4 .125 Prismatic Acrylic (P4) Colored acrylic lens available, consult agent.		EMERGENCY (SPECIFY VOLTAGE) EM2 Bodine BDL700 WET/IOTA I-48-DL WET or similar EM3 Bodine BDL500 WET/IOTA I-320-DL WET or similar EM4 Bodine BDL900 WET/IOTA I-40-DL WET or similar BALLASTS (SPECIFY VOLTAGE) D1 Lutron Dimming ECO-10 D2 Electronic Dimming D4 < 10% THD (Consult Factory) E0 Low Temp Electronic (N/A T12 RS & VHO) E2 2 Electronic Ballasts E9 Rapid Start Electronic Ballast FUSING F1 GLR/HLR Fusing (Fast) F2 GMF/HLR Fusing (Slow) LENSING H2 .150 Extra Heavy Clear Acrylic H3 .150 Extra Heavy White Acrylic JO Lamp Sleeves (Specify Color) J8 Wire Guard (N/A Splash/Food Zones) MOUNTING M1 Pendant Mount (Pendants by Others) M2 Mounting Bracket Kit (Surface / Chain) M3 In-Row (Row Information Required) M9 Wall Mounting MISC P9 Special Paint Color (Provide Paint Code & Chip) R5 Specular Aluminum Reflector S1 Special Material (Consult Agent) T3 Tamper Resistant (Hex w/pin STD, Others Avail) Add hyphens between options	120V-277V/60Hz STD 347V/60Hz 50Hz & Other Voltages Available
14T5	F14T5 (2FT)	0°					
17	F17T8 (2FT)	0°					
21T5	F21T5 (3FT)	0°					
25	F25T8 (3FT)	0°					
28T5	F28T5 (4FT)	0°					
32	F32T8 (4FT)	0°					

*S2 Stainless Steel Outer Channel
*S3 Stainless Steel Exterior
*S4 Stainless Steel Complete
* Note:
If Stainless Steel is ordered, 304 SS Standard 316 SS and other materials available, consult agent.

INDIVIDUAL UNITS STANDARD.

Other Wattages and Lengths Available, Consult Factory.

Project Information:

Information subject to change without notice. Lamps supplied by others.

© 2010 Paramount Industries, Inc. P.O. Box 259 Crosswell, MI 48422