



# F3 Rear Access Series FLUORESCENT | FLANGE -FL-



### 1x TECHNISEAL® APPLICATIONS:

- UL/CUL Listed Wet Location  
(Classes 100-100,000; ISO Classes 5-9)
- Cleanroom  
(Class I, Division 2; Groups A, B, C & D  
Class II, Division 2; Groups F & G)
- NSF Certified Food Processing  
(Splash Zone, Food Zone)
- Industrial & Commercial
- UL Listed Marine  
(Inside, Inside Drip-Proof)
- Transit

### BENEFITS:

- Luminaires adaptable to your specific needs
- Accessible from rear or front for servicing

### FEATURES:

- Premium electronic ballast standard
- Available in Stainless Steel construction
- Every luminaire tested with lamps to assure customer satisfaction
- 5 year limited warranty
- Proudly made in **USA**

## SPECIFICATIONS:

### HOUSING:

Constructed of nominal 20GA (.036) zinc coated steel for unmatched corrosion protection. Two welded, tapered, threaded flanges on the top provide a sealed wireway access. All seams are sealed with a long life acrylic sealant.

### REFLECTOR:

Fabricated of zinc coated steel, painted with a minimum reflectance of 88%.

### LENS FRAME:

Exclusively designed, heavy duty, extruded, anodized aluminum with stainless steel captive screws used to hold the lens frame tight to the housing. The frame is hinged for support while servicing.

**Food Zone:** Lens frame and trim frame of stainless steel (S6 option std).

### GASKETING:

An extruded, ribbed vinyl gasket seals the lens into the frame; with our exclusive, mechanically held, extruded, silicone gasket used to seal the frame to the housing.

**Food Zone:** Lens frame and trim frame of stainless steel.

### FINISH:

Painted surfaces are two mil white polyester enamel, special colors available.

### LENS:

.140 extruded prismatic acrylic with 50% DR content for durability, smooth side out.

**Food Zone:** .156 extruded prismatic polycarbonate, smooth side out.

### ELECTRICAL:

All ballasts and lampholders are UL Listed.

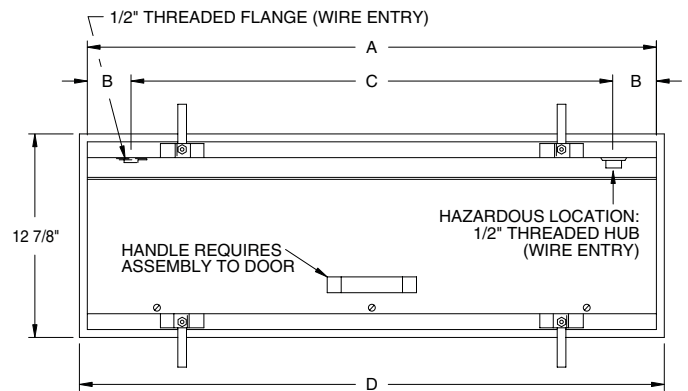
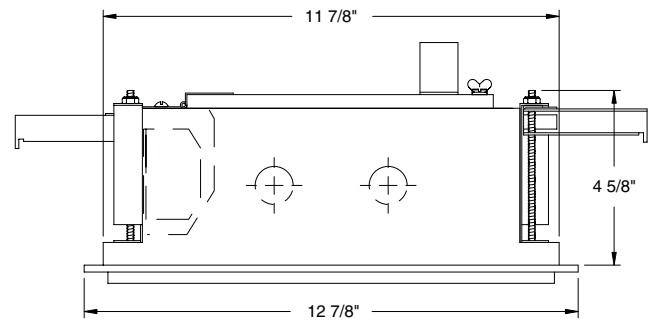
**Marine:** Utilizes a three gang terminal block for electrical connections.

### MOUNTING:

Flange or custom detail available.

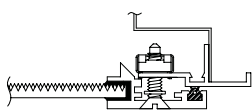
### TEMPERATURE CODE:

Class I, Div. 2 = T5 (100°C); Class II, Div. 2 = T5 (100°C)

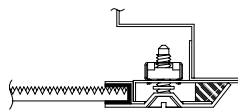


LENGTH	DIMENSIONS IN INCHES			
	A	B	C	D
2FT	24	2	20	25
3FT	36	2	32	37 1/16
4FT	48	2	44	49 1/16

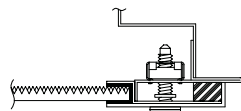
## LENS FRAME DETAILS:



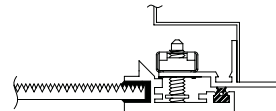
ALUMINUM  
LENS FRAME DETAIL



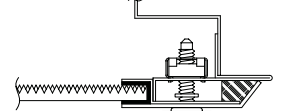
STAINLESS STEEL  
LENS FRAME DETAIL



HAZ. LOC. STAINLESS STEEL  
LENS FRAME DETAIL



SPLASH ZONE  
LENS FRAME DETAIL



FOOD ZONE  
LENS FRAME DETAIL



Hazardous Location:



Food Processing:

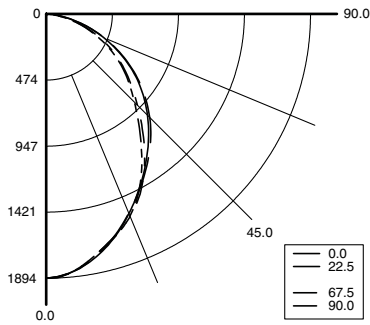


# F3 RA Series



## PHOTOMETRICS:

Model F32324-R5, 4FT, Specular Reflector and Prismatic Acrylic Lens, 2 32W T8 Fluorescent Lamps, Lamp Lumen Rating = 3050



### Coefficients of Utilization, Zonal Cavity Method

Floor Cavity Reflectance: 20%

RC	.8				.7				.5				.3				.1				0
RW	.7	.5	.3	.1	.7	.5	.3	.1	.5	.3	.1	.5	.3	.1	.5	.3	.1	.5	.3	.1	0
R 0	84	84	84	84	82	82	82	82	78	78	78	75	75	75	72	72	72	70			
C 1	77	74	71	69	75	72	70	68	69	67	65	67	65	63	64	63	61	60			
R 2	70	65	60	57	69	64	59	56	61	58	55	59	56	53	57	54	52	51			
3	64	57	52	47	63	56	51	47	54	50	46	52	48	45	50	47	45	43			
4	59	51	45	40	58	50	45	40	48	43	40	47	43	39	45	42	39	37			
5	55	46	40	35	53	45	39	35	43	38	35	42	38	34	41	37	34	32			
6	50	41	35	31	49	41	35	31	39	34	30	38	34	30	37	33	30	28			
7	47	38	32	27	46	37	31	27	36	31	27	35	30	27	34	30	27	25			
8	44	34	28	24	43	34	28	24	33	28	24	32	27	24	31	27	24	23			
9	41	32	26	22	40	31	26	22	30	25	22	30	25	22	29	25	22	20			
10	38	29	24	20	37	29	24	20	28	23	20	27	23	20	27	23	20	19			

### Zonal Lumen Summary

Zone	Lumens	% Lamp	% Luminaire
0-30	1346	22.1	31.2
0-40	2128	34.9	49.3
0-60	3545	58.1	82.2
0-90	4313	70.7	100
90-120	0	0	0
90-130	0	0	0
90-150	0	0	0
90-180	0	0	0
0-180	4313	70.7	100

Total Luminaire Optical Efficiency = 70.7%  
Spacing Criterion: 0° = 1.09, 90° = 1.09

## 1x TECHNISEAL® REAR ACCESS FLANGE TROFFER ORDERING INFORMATION:

SERIES	LAMP QTY	LAMP TYPE	LENS	OPT MATERIAL	OPTIONS	VOLTAGE
<b>F3</b> Wet Location Cleanroom	<b>1*</b> <b>2*</b> Standard		<b>2</b> .125 Clear Acrylic (No Pattern) <b>3</b> .125 White Acrylic <b>4</b> .140 Prismatic Acrylic (P12) (base) <b>6</b> .125 Clear Polycarbonate (No Pattern) <b>7</b> .125 White Polycarbonate <b>8</b> .156 Prismatic Polycarbonate (P12) <b>9</b> .187 Tempered Glass (P62)		<b>EMERGENCY</b> <b>B1</b> Bodine BDL700 (0-50°C) N/A <3FT <b>B2</b> Bodine BDL500 (0-50°C) N/A <3FT <b>B3</b> Bodine BDL900 (0-50°C) N/A <3FT <b>B9</b> Bodine BHD65U (Hazardous Location) N/A <3FT	<b>120V/60Hz</b> Standard 277V/60Hz 347V/60Hz 50Hz & Other Voltages Available
<b>HF3*</b> Hazardous	<b>3*</b>		<b>LENSES AVAILABLE FOR FOOD ZONE</b> <b>6</b> .125 Clear Polycarbonate (No Pattern) <b>7</b> .125 White Polycarbonate <b>8</b> .156 Prismatic Polycarbonate (P12) (base) <b>9</b> .187 Tempered Glass (P62) Colored acrylic lens available, consult agent. (See page 215 for available lens colors.)		<b>BALLASTS</b> <b>D1</b> Lutron Dimming ECO-10 <b>D2</b> Electronic Dimming <b>D4</b> < 10% THD (Consult Factory) <b>D8</b> Low-Temp Magnetic Ballast (N/A T8) <b>D9</b> Magnetic Ballast <b>E2</b> 2 Electronic Ballasts <b>E9</b> Rapid Start Electronic Ballast	
<b>SF3</b> Splash Zone					<b>FUSING</b> <b>F1</b> GLR/HLR Fusing (Fast) <b>F2</b> GMF/HLR Fusing (Slow)	
<b>FF3</b> Food Zone					<b>LENSING</b> <b>H2</b> .150 Extra Heavy Clear Acrylic <b>H3</b> .150 Extra Heavy White Acrylic <b>H5</b> .156 C73 Tempered Glass <b>H6</b> .187 Clear Tempered Glass <b>J0</b> Lamp Sleeves (Specify Color) <b>J2</b> .060 Clear Acrylic Overlay <b>J4</b> .020 White Acrylic Overlay (Lamp Side) <b>J6</b> .080 Clear Polycarbonate Overlay <b>J7</b> Louver (Specify) <b>J9</b> RFI Lens (Specify Pattern) <b>K1</b> .156 Prismatic Acrylic (P19) <b>K3</b> .187 KSH-12 Acri-Tuf Acrylic <b>K6</b> External Prisms (N/A Splash/Food Zones)	<b>MISC</b> <b>P1</b> Zinc Coated Steel Plaster Frame <b>P3</b> Stainless Steel Plaster Frame <b>P9</b> Special Paint Color (Provide Paint Code & Chip) <b>R5</b> Specular Aluminum Reflector <b>S1</b> Special Material (Consult Agent) <b>T3</b> Tamper Resistant (Spanner STD, Others Avail.) <b>V1</b> External Gasketing <b>V3</b> No Silicone Sealant Used <b>W4</b> Inboard Outboard Wiring (Dual Switching) <b>Y1</b> Nite Lite (Consult Agent) <b>Y5</b> RFI Suppressors
<b>RF3</b> Marine Inside				<b>S2</b> Stainless Steel Housing <b>S3</b> Stainless Steel Exterior <b>S5</b> Stainless Steel Lens Frame Only <b>S6</b> SS Lens Frame & Trim Frame 304 SS Standard, 316 SS and other materials available, consult agent		
<b>MF3</b> Inside Drip-proof						
<b>14T5*</b> F14T5 (2FT)	0°					
<b>17*</b> F17T8 (2FT)	0°					
<b>24T5H</b> F24T5/HO (4FT)	0°					
<b>25*</b> F25T8 (3FT)	0°					
<b>28T5*</b> F28T5 (4FT)	0°					
<b>31U*</b> FB31T8/U 1 5/8" (2FT) <b>1L</b>	0°					
<b>31U6*</b> FB31T8/U 6" (2FT) <b>1L Only</b>	0°					
<b>32*</b> F32T8 (4FT)	0°					
<b>48H</b> F48T12/HO (4FT)	-20°					
<b>54T5H</b> F54T5/HO (4FT)	0°					

Add hyphens between options

\* Lamp Type Available for Hazardous Location.  
Other Wattages and Lengths Available, Consult Factory.

**NSF Food Processing Note:**  
Food Zone (F prefix) luminaires come in DIRECT CONTACT with food.  
Splash Zone (S prefix) units may become soiled, but are outside the danger of recontamination.

Information subject to change without notice. Lamps supplied by others.

© 2005 Paramount Industries, Inc. P.O. Box 259 Crosswell, MI 48422

### Project Information: