



F7 Series

FLUORESCENT | FLANGE -FL-



2x SURGICAL TECH-NISEAL®

APPLICATIONS:

- UL/CUL Listed Wet Location
- Cleanroom (Classes 100-100,000; ISO Classes 5-9)

BENEFITS:

- Designed specifically for supplementary Surgical Suite Illumination
- Luminaires adaptable to your specific needs

FEATURES:

- Premium electronic ballast standard
- Available in stainless steel construction
- Guardcraft® antimicrobial coating available
- Every luminaire tested with lamps to assure customer satisfaction
- Available **Plenum Access Panel**
- 5 year limited warranty
- Proudly made in **USA**

SPECIFICATIONS:

HOUSING:

Constructed of nominal 20GA (.036) zinc coated steel for unmatched corrosion protection. Two welded, tapered, threaded flanges on the top provide a sealed wireway access. All seams are sealed with a long life acrylic sealant.

REFLECTOR:

Fabricated of zinc coated steel, painted with a minimum reflectance of 88%.

LENS FRAME:

Exclusively designed, heavy duty, extruded, anodized aluminum with stainless steel captive screws used to hold the lens frame tight to the housing. The frame is hinged for support while servicing.

GASKETING:

An extruded, ribbed vinyl gasket seals the lens into the frame; with our exclusive, mechanically held, extruded, silicone gasket used to seal the frame to the housing.

FINISH:

Painted surfaces are two mil white polyester enamel, special colors available.

ALSO AVAILABLE: Paramount's special Guardcraft® antimicrobial coating with nano silver technology to inhibit growth of bacteria on the coating surface. Silver nano particles approximately 1000 times smaller in diameter than a human hair are evenly dispersed throughout the coating to provide long term protection.

LENS:

.150 extruded acrylic. Asymmetric/Symmetric distribution consisting of male cone prisms and linear elevating and depressing prisms, with radio frequency interference shielding. Complies with applicable government RFI specifications MIL-STD-461A, MIL-STD-462, MIL-STD-463

ELECTRICAL:

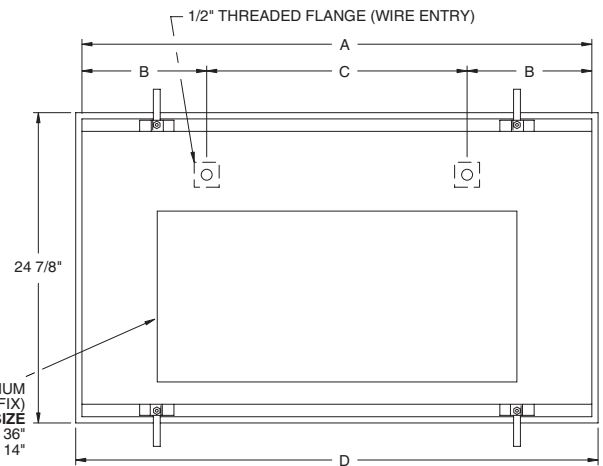
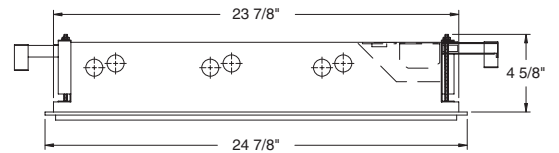
All ballasts and lampholders are UL Listed.

MOUNTING:

Flange or custom detail available.

PLENUM ACCESS:

Plenum access available in flange troffer by way of a hinged door that opens downward once the lamps are removed

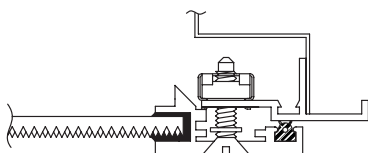


LENGTH	DIMENSIONS IN INCHES			
	A	B	C	D
2FT	23 15/16	1 1/4	21 3/8	24 7/8
4FT	47 15/16	5	38	49 1/16

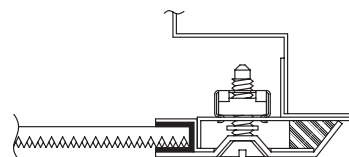
CEILING CUT-OUT DIMENSIONS:

- 2FT: 24 1/4" x 24 1/4"
- 4FT: 24 1/4" x 48 1/4"

LENS FRAME DETAILS:



ALUMINUM LENS FRAME DETAIL



STAINLESS STEEL LENS FRAME DETAIL

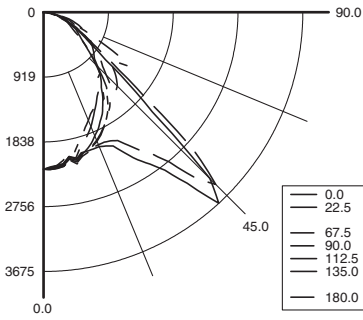


F7 Series



PHOTOMETRICS: For additional photometry, go to paramountlighting.com

Model F73321, 4FT, White Interior and Light-controlled Acrylic Lens, 3 32W T8 Fluorescent Lamps, Lamp Lumen Rating = 2950



Coefficients of Utilization, Zonal Cavity Method

Floor Cavity Reflectance: 20%

RC	.8			.7			.5			.3			.1			0	
RW	.7	.5	.3	.1	.7	.5	.3	.1	.5	.3	.1	.5	.3	.1	0		
R 0	78	78	78	78	76	76	76	76	72	72	72	69	69	69	66	66	66
C 1	71	69	66	64	70	67	65	63	64	62	61	62	60	59	59	58	57
R 2	65	60	56	53	64	59	55	52	57	54	51	55	52	50	53	50	48
3	60	53	48	44	58	52	47	44	50	46	43	48	45	42	47	44	41
4	55	47	42	38	53	46	41	37	45	40	37	43	39	36	42	39	36
5	50	42	37	32	49	42	36	32	40	35	32	39	35	32	38	34	31
6	47	38	32	28	45	37	32	28	36	31	28	35	31	28	34	30	27
7	43	34	29	25	42	34	29	25	33	28	25	32	28	24	31	27	24
8	40	31	26	22	39	31	26	22	30	25	22	29	25	22	29	25	22
9	37	29	23	20	36	28	23	20	28	23	20	27	23	20	26	22	19
10	35	26	21	18	34	26	21	18	25	21	18	25	21	18	24	20	18

Zonal Lumen Summary

Zone	Lumens	% Lamp	% Luminaire
0-30	1637	18.5	28.4
0-40	2723	30.8	47.2
0-60	4886	55.2	84.7
0-90	5768	65.2	100
90-120	0	0	0
90-130	0	0	0
90-150	0	0	0
90-180	0	0	0
0-180	5768	65.2	100

Total Luminaire Optical Efficiency = 65.2%
Spacing Criterion: 0° = 2.01, 90° = 1.18

2x SURGICAL TECHNISEAL® FLANGE TROFFER ORDERING INFORMATION:

F7		LAMP QTY		LAMP TYPE		1		OPT MATERIAL		OPTIONS		VOLTAGE	
F7	Wet Location Cleanroom	3	6				1	.150 Extruded Acrylic Asymmetric/Symmetric					120V-277V/60Hz STD 347V/60Hz 50Hz & Other Voltages Available
17	F17T8 (2FT)		0°										
32	F32T8 (4FT)		0°										

- EMERGENCY (SPECIFY VOLTAGE)**
EM5 Bodine B70A DRY/IOTA I-48 DRY or similar
EM6 Bodine B50 DRY/IOTA I-320 DRY or similar
- BALLASTS (SPECIFY VOLTAGE)**
D1 Lutron Dimming ECO-10
D2 Electronic Dimming
D4 < 10% THD (Consult Factory)
E0 Low Temp Electronic (N/A T12RS & VHO)
E9 Rapid Start Electronic Ballast
- FUSING**
F1 GLR/HLR Fusing (Fast)
F2 GMF/HLR Fusing (Slow)
- MISC**
J0 Lamp Sleeves (Specify Color)
P5 Surgical Plaster Frame (Requires Specs)
P11 Guardcraft® Antimicrobial Coating
S1 Special Material (Consult Agent)
T3 Tamper Resistant (Hex w/pin STD, Others Avail)
V1 External Gasketing
V3 No Silicone Sealant Used
X4 Plenum Access Panel
Y5 RFI Suppressors

Add hyphens between options

- *S2 Stainless Steel Housing
 - *S3 Stainless Steel Exterior
 - *S5 Stainless Steel Lens Frame Only
 - *S6 SS Lens Frame & Trim Frame
- * Note:
If Stainless Steel is ordered,
304 SS Standard
316 SS and other materials
available, consult agent.

Note:

Due to the highly specialized lens, Paramount encourages the use of

- 1-3 Lamp Electronic Ballast for 3 Lamp Luminaires
- 2-3 Lamp Electronic Ballasts for 6 Lamp Luminaires

Information subject to change without notice. Lamps supplied by others.

© 2010 Paramount Industries, Inc. P.O. Box 259 Crosswell, MI 48422

Project Information: