

**1x TECHNISEAL® GEL**

**APPLICATIONS:**

- UL/CUL Listed Wet Location
- Cleanroom (Classes 100-100,000; ISO Classes 5-9)

**BENEFITS:**

- Luminaires adaptable to your specific needs

**FEATURES:**

- Premium electronic ballast standard
- Available in stainless steel construction
- Every luminaire tested with lamps to assure customer satisfaction
- 5 year limited warranty
- Proudly made in **USA**

## SPECIFICATIONS:

**HOUSING:**

Constructed of nominal 20GA (.036) zinc coated steel for unmatched corrosion protection. Two welded, tapered, threaded flanges on the top provide a sealed wireway access. All seams are sealed with a long life acrylic sealant.

**REFLECTOR:**

Fabricated of zinc coated steel, painted with a minimum reflectance of 88%.

**LENS FRAME:**

Exclusively designed, heavy duty, extruded, anodized aluminum with stainless steel captive screws used to hold the lens frame tight to the housing. The frame is hinged for support while servicing.

**GASKETING:**

An extruded, ribbed vinyl gasket seals the lens into the frame; with our exclusive, mechanically held, extruded, silicone gasket used to seal the frame to the housing.

**FINISH:**

Painted surfaces are two mil white polyester enamel, special colors available.

**LENS:**

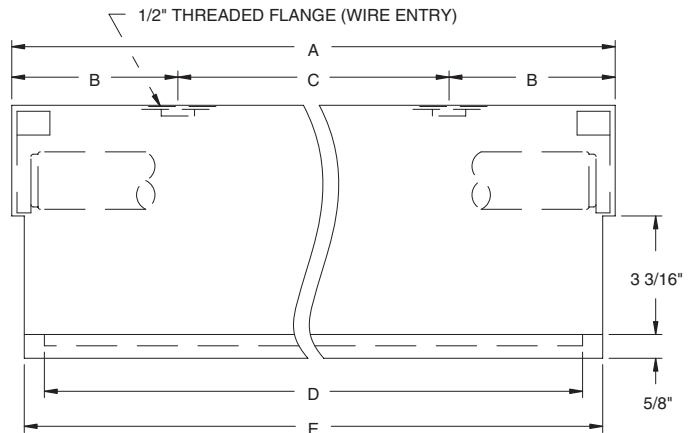
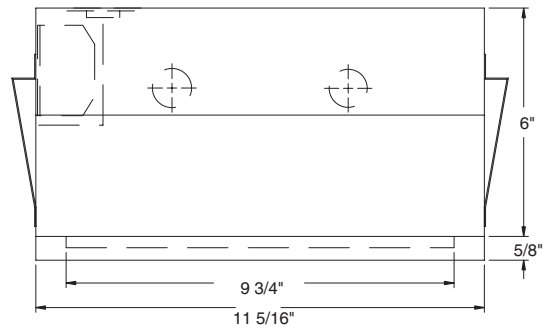
.140 extruded prismatic acrylic with 50% DR content for durability, smooth side out.

**ELECTRICAL:**

All ballasts and lampholders are UL Listed.

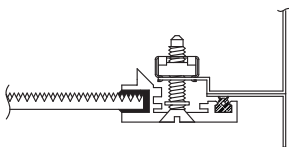
**MOUNTING:**

Grid or custom detail available.

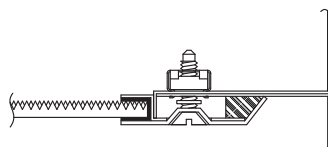


LENGTH	DIMENSIONS IN INCHES				
	A	B	C	D	E
2FT	23 29/32	5 3/8	13 1/4	21 3/4	23 9/32
4FT	47 29/32	5	38	45 3/4	47 9/32

## LENS FRAME DETAILS:



ALUMINUM LENS FRAME DETAIL



STAINLESS STEEL LENS FRAME DETAIL

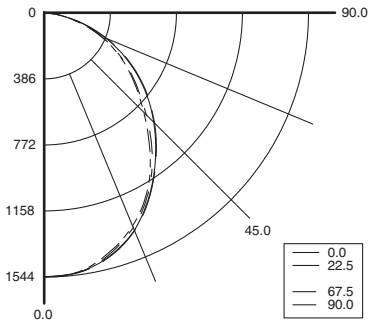


# GO Gel Series



**PHOTOMETRICS:** For additional photometry, go to [paramountlighting.com](http://paramountlighting.com)

Model G02324-R5, 4FT, Specular Reflector and Prismatic Acrylic Lens, 2 32W T8 Fluorescent Lamps, Lamp Lumen Rating = 3050



### Coefficients of Utilization, Zonal Cavity Method

Floor Cavity Reflectance: 20%

RC	.8				.7				.5				.3				.1				0
RW	.7	.5	.3	.1	.7	.5	.3	.1	.5	.3	.1	.5	.3	.1	.5	.3	.1	.5	.3	.1	0
R 0	74	74	74	74	73	73	73	73	69	69	69	66	66	66	64	64	64	62	64	64	62
C 1	68	66	63	61	67	64	62	60	62	60	58	59	58	56	57	56	54	53	57	56	54
R 2	62	57	53	50	61	56	53	49	54	51	48	52	49	47	50	48	46	45	50	48	46
3	57	51	46	42	56	50	45	41	48	44	41	46	43	40	45	42	39	38	45	42	39
4	52	45	40	36	51	44	39	35	43	38	35	41	37	34	40	37	34	33	40	37	34
5	48	40	35	31	47	40	34	31	38	34	30	37	33	30	36	32	30	28	36	32	30
6	45	36	31	27	43	36	31	27	35	30	27	34	30	26	33	29	26	25	33	29	26
7	41	33	28	24	40	33	27	24	32	27	24	31	27	23	30	26	23	22	30	26	23
8	39	30	25	21	38	30	25	21	29	24	21	28	24	21	27	24	21	20	27	24	21
9	36	28	23	19	35	27	23	19	27	22	19	26	22	19	25	22	19	18	25	22	19
10	34	26	21	17	33	25	21	17	25	20	17	24	20	17	24	20	17	16	24	20	17

### Zonal Lumen Summary

Zone	Lumens	% Lamp	% Luminaire
0-30	1169	19.2	30.5
0-40	1867	30.6	48.7
0-60	3135	51.4	81.8
0-90	3832	62.8	100
90-120	0	0	0
90-130	0	0	0
90-150	0	0	0
90-180	0	0	0
0-180	3832	62.8	100

Total Luminaire Optical Efficiency = 62.8%

Spacing Criterion: 0° = 1.18, 90° = 1.16

## 1x TECHNISEAL® GEL GRID TROFFER ORDERING INFORMATION:

GO SERIES	LAMP QTY	LAMP TYPE	LENS	OPT MAT	OPTIONS	VOLTAGE
<b>G0</b> Cleanroom	1 2 Standard 3		2 .125 Clear Acrylic (No Pattern) 3 .125 White Acrylic 4 .140 Prismatic Acrylic (P12) (base) 6 .125 Clear Polycarbonate (No Pattern) 7 .125 White Polycarbonate 8 .156 Prismatic Polycarbonate (P12) 9 .187 Tempered Glass (P62)		<b>EMERGENCY (SPECIFY VOLTAGE)</b> <b>EM2</b> Bodine BDL700 WET/IOTA I-48-DL WET or similar <b>EM3</b> Bodine BDL500 WET/IOTA I-320-DL WET or similar <b>EM4</b> Bodine BDL900 WET/IOTA I-40-DL WET or similar <b>BALLASTS (SPECIFY VOLTAGE)</b> <b>D1</b> Lutron Dimming ECO-10 <b>D2</b> Electronic Dimming <b>D4</b> < 10% THD (Consult Factory) <b>E0</b> Low Temp Electronic (N/A T12RS & VHO) <b>E2</b> 2 Electronic Ballasts <b>E3</b> 3 Electronic Ballasts <b>E9</b> Rapid Start Electronic Ballast <b>FUSING</b> <b>F1</b> GLR/HLR Fusing (Fast) <b>F2</b> GMF/HLR Fusing (Slow) <b>LENSING</b> <b>H0</b> Special Lens (Specify) <b>H2</b> .150 Extra Heavy Clear Acrylic <b>H3</b> .150 Extra Heavy White Acrylic <b>H5</b> .156 C73 Tempered Glass <b>H6</b> .187 Clear Tempered Glass <b>JO</b> Lamp Sleeves (Specify Color) <b>J2</b> .060 Clear Acrylic Overlay <b>J6</b> .080 Clear Polycarbonate Overlay <b>J7</b> Louver (Specify) <b>J9</b> RFI Lens (Specify Pattern) <b>K3</b> .187 KSH-12 Acri-Tuf Acrylic <b>MISC</b> <b>P9</b> Special Paint Color (Provide Paint Code & Chip) <b>R5</b> Specular Aluminum Reflector <b>S1</b> Special Material (Consult Agent) <b>T3</b> Tamper Resistant (Hex w/pin STD, Others Avail) <b>V3</b> No Silicone Sealant Used <b>Y5</b> RFI Suppressors	<b>120V-277V/60Hz STD</b> 347V/60Hz 50Hz & Other Voltages Available
<b>40BX</b> F40T5TT (2FT)	0°					
<b>50BX</b> F50T5TT (2FT)	0°					
<b>17</b> F17T8 (2FT)	0°					
<b>25</b> F25T8 (3FT)	0°					
<b>31U</b> FB31T8/U 1 5/8" (2FT) <b>1L</b>	0°					
<b>31U6</b> FB31T8/U 6" (2FT) <b>1L Only</b>	0°					
<b>32</b> F32T8 (4FT)	0°					
<b>48H</b> F48T12/HO (4FT)	-20°					
<b>48T8H</b> F48T8/HO (4FT)	-20°					

\*S2 Stainless Steel Housing  
\*S3 Stainless Steel Exterior  
\*S5 Stainless Steel Lens Frame Only  
\* Note:  
If Stainless Steel is ordered,  
304 SS Standard  
316 SS and other materials available, consult agent.

Add hyphens between options

### Note:

Designed to work in conjunction with the Gordon Gel Grid Ceiling System (or similar systems). Other Wattages and Lengths Available, Consult Factory.

Information subject to change without notice. Lamps supplied by others.

© 2010 Paramount Industries, Inc. P.O. Box 259 Crosswell, MI 48422

### Project Information: