



# H3 Series

HID | SURFACE **S**



### LOW PROFILE SQUARE HID APPLICATIONS:

- UL/CUL Listed Wet Location
- Industrial & Commercial
- Transit

### BENEFITS:

- Luminaires adaptable to your specific needs

### FEATURES:

- Available in stainless steel construction
- Every luminaire tested with lamps to assure customer satisfaction
- 5 year limited warranty
- Proudly made in **USA**

## SPECIFICATIONS:

### HOUSING:

Constructed of nominal 20GA (.036) zinc coated steel for unmatched corrosion protection. One welded, tapered, threaded flange on the top provides a sealed wireway access. All seams are sealed with a long life acrylic sealant.

### REFLECTOR:

Fabricated of diffuse aluminum.

### LENS FRAME:

Exclusively designed, heavy duty, extruded, anodized aluminum with captive screws used to hold the lens frame tight to the housing. The frame is supported by two cables while servicing.

### GASKETING:

Silicone sealant is used to seal the lens into the frame; with our exclusive, mechanically held, extruded, silicone gasket used to seal the frame to the housing.

### FINISH:

Painted surfaces are two mil of white polyester enamel, special colors available.

### LENS:

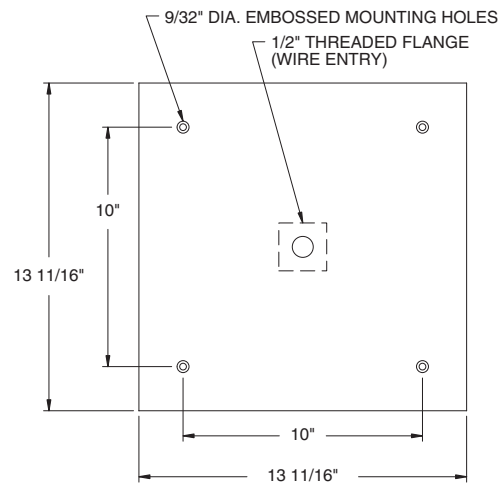
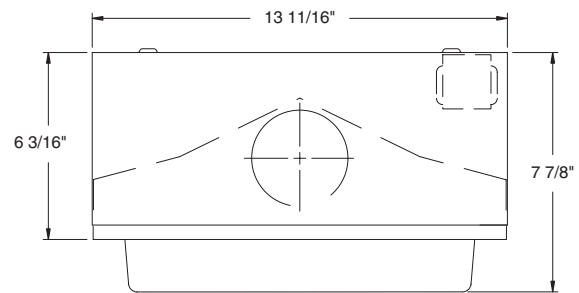
Prismatic acrylic drop lens.

### ELECTRICAL:

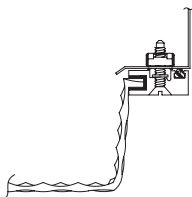
Core and coil ballast standard. Medium base lampholder.

### MOUNTING:

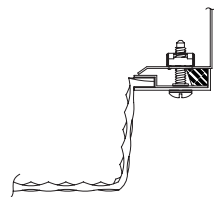
Surface or custom detail available for covered ceiling installations.



## LENS FRAME DETAILS:



ALUMINUM  
LENS FRAME DETAIL



STAINLESS STEEL  
LENS FRAME DETAIL

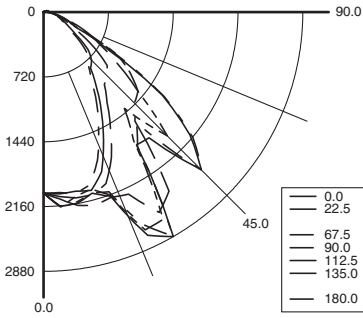


# H3 Series



**PHOTOMETRICS:** For additional photometry, go to [paramountlighting.com](http://paramountlighting.com)

Model H3100S8, Semi-specular Reflector and Polycarbonate Lens, 1 100W HPS Lamp, Lamp Lumen Rating = 9500



### Coefficients of Utilization, Zonal Cavity Method

Floor Cavity Reflectance: 20%

RC	.8				.7				.5				.3				.1				0
RW	.7	.5	.3	.1	.7	.5	.3	.1	.5	.3	.1	.5	.3	.1	.5	.3	.1	.5	.3	.1	0
R 0	72	72	72	72	70	70	70	70	67	67	67	64	64	64	61	61	61	59			59
C 1	67	64	62	60	65	63	61	59	60	58	56	57	56	54	55	54	52	51			51
R 2	61	57	53	50	60	55	52	49	53	50	48	51	48	46	49	47	45	44			44
3	56	50	46	42	55	49	45	42	47	44	41	45	42	40	44	41	39	37			37
4	52	45	40	36	50	44	39	36	42	38	35	41	37	34	39	36	34	32			32
5	48	40	35	31	46	39	35	31	38	34	30	37	33	30	35	32	29	28			28
6	44	36	31	27	43	36	31	27	34	30	27	33	29	26	32	29	26	25			25
7	41	33	28	24	40	32	27	24	31	27	24	30	26	23	29	26	23	22			22
8	38	30	25	21	37	29	25	21	29	24	21	28	24	21	27	23	21	20			20
9	35	27	23	19	34	27	22	19	26	22	19	25	22	19	25	21	19	18			18
10	33	25	21	17	32	25	20	17	24	20	17	24	20	17	23	19	17	16			16

### Zonal Lumen Summary

Zone	Lumens	% Lamp	% Luminaire
0-30	1798	18.9	31
0-40	2889	30.4	49.7
0-60	4923	51.8	84.8
0-90	5645	59.4	97.2
90-120	141	1.5	2.4
90-130	157	1.7	2.7
90-150	161	1.7	2.8
90-180	163	1.7	2.8
0-180	5807	61.1	100

Total Luminaire Optical Efficiency = 61.1%

Spacing Criterion: 0° = 1.03, 90° = 1.38

## HID LOW PROFILE SQUARE ORDERING INFORMATION:

<b>H3</b>							
<b>SERIES</b>	<b>LAMP WATTS</b>	<b>LAMP TYPE</b>	<b>LENS</b>	<b>OPT MAT</b>	<b>OPTIONS</b>	<b>VOLTAGE</b>	
H3 Wet Location	35 Medium Base, HPS Only 50 Medium Base 70 Medium Base 100 Medium Base	M MH S HPS	5 Acrylic Drop Lens (base) 8 Polycarbonate Drop Lens 9 .187 Tempered Glass (P62) With Tempered Glass Lens, overall height remains the same		<b>FUSING</b> F2 GMF/HLR Fusing (Slow) <b>LENSING</b> H5 .156 C73 Tempered Glass H6 .187 Clear Tempered Glass J2 .060 Clear Acrylic Overlay J6 .080 Clear Polycarbonate Overlay <b>MOUNTING</b> M1 Pendant Mount (Pendants By Others) M2 Mounting Bracket Kit (Surface/Chain) <b>MISC</b> P9 Special Paint Color (Provide Paint Code & Chip) S1 Special Material (Consult Agent) T3 Tamper Resistant (Hex w/pin STD, Others Avail) Y3 Quartz Restrike J8 Wire Guard	120V/60Hz STD 208V/60Hz 240V/60Hz 277V/60Hz 347V/60Hz 480V/60Hz 50Hz Available	
			*S2 Stainless Steel Housing * Note: If Stainless Steel is ordered, 304 SS Standard 316 SS and other materials available, consult agent.		Add hyphens between options		

**Project Information:**

Information subject to change without notice. Lamps supplied by others.

© 2010 Paramount Industries, Inc. P.O. Box 259 Crosswell, MI 48422