



H9 Series

ELECTRODELESS | SURFACE **S**



CUBE LITE APPLICATIONS:

- UL/CUL Listed Damp Location
- Industrial & Commercial
- Transit

BENEFITS:

- Luminaires adaptable to your specific needs
- Long-life lamp means less maintenance

FEATURES:

- Every luminaire provided with Osram-Sylvania's Icteron® electrodeless lamp and electronic ballast system
- Available in stainless steel construction
- Every luminaire tested with lamps to assure customer satisfaction
- 5 year limited warranty
- Proudly made in **USA**

SPECIFICATIONS:

HOUSING:

Constructed of nominal 20GA (.036) zinc coated steel for unmatched corrosion protection. One welded, tapered, threaded flange on the top provides a sealed wireway access. All seams are sealed with a long life acrylic sealant.

REFLECTOR:

Fabricated of painted aluminum.

LENS FRAME:

Exclusively designed, heavy duty, extruded, anodized aluminum with captive screws used to hold the lens frame tight to the housing. The frame is supported by stainless steel cables while servicing.

GASKETING:

Sealant is used to seal the lens into the frame. Our exclusive, mechanically held, extruded silicone gasket is used to seal the frame to the housing.

FINISH:

Painted surfaces are two mil of white polyester enamel, special colors available.

LENS:

Formed drop acrylic lens with prismatic pattern (P35) on inside.

LAMP:

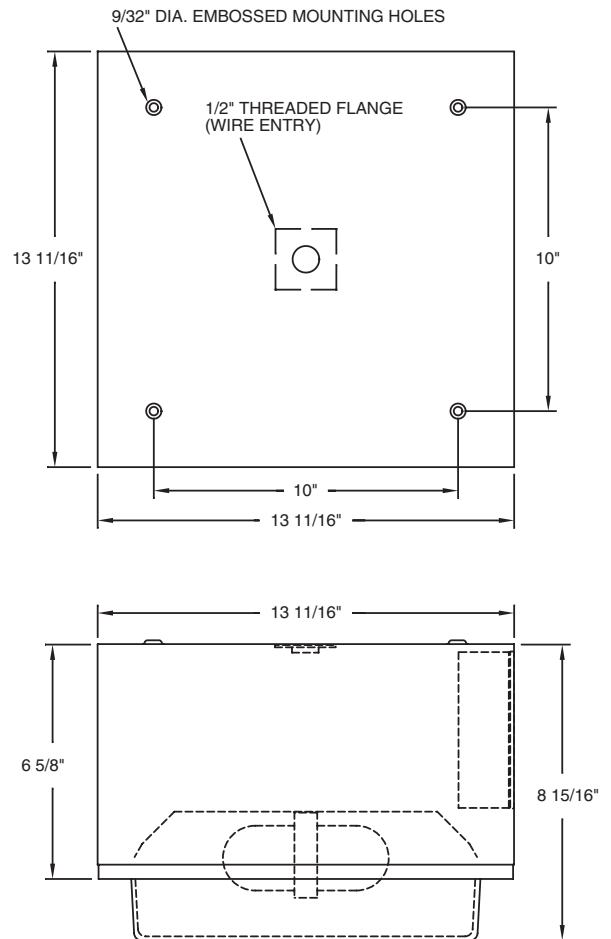
100w, 4100K provided standard.

MOUNTING:

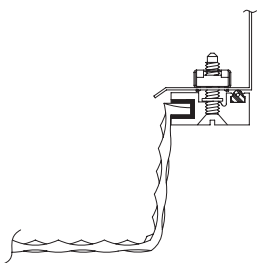
Surface, pendant or custom available for covered ceiling installations.

TEMPERATURE:

Suitable for use in rooms with a maximum ambient temperature of 98°F.



Icteron is a registered trademark of Osram-Sylvania



ALUMINUM LENS FRAME DETAIL

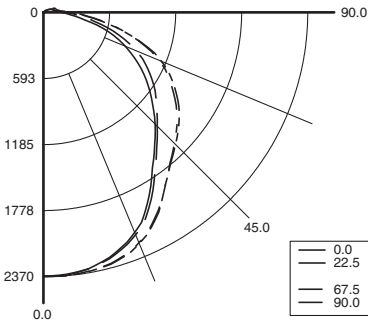


H9 Series



PHOTOMETRICS: For additional photometry, go to paramountlighting.com

Model H9100/QT1505-98F, White Reflector and Acrylic Drop Lens, 1 100W Electrodeless Lamp, Lamp Lumen Rating = 11000



Coefficients of Utilization, Zonal Cavity Method

Floor Cavity Reflectance: 20%

RC	.8			.7			.5			.3			.1			0	
RW	.7	.5	.3	.1	.7	.5	.3	.1	.5	.3	.1	.5	.3	.1	0		
R 0	86	86	86	86	83	83	83	83	79	79	79	75	75	75	71	71	69
C 1	77	73	69	66	75	71	68	65	67	64	62	64	62	59	61	59	57
R 2	69	63	57	53	67	61	56	52	58	54	50	55	51	48	52	49	47
3	63	55	48	43	61	53	47	42	51	45	41	48	44	40	46	42	39
4	57	48	41	36	55	47	41	36	45	39	35	43	38	34	41	36	33
5	53	43	36	31	51	42	35	31	40	34	30	38	33	29	36	32	29
6	49	38	32	27	47	38	31	27	36	30	26	34	29	26	33	29	25
7	45	35	28	24	44	34	28	23	33	27	23	31	26	23	30	26	22
8	42	32	25	21	41	31	25	21	30	24	20	29	24	20	28	23	20
9	39	29	23	19	38	29	23	19	27	22	18	26	22	18	25	21	18
10	37	27	21	17	36	26	21	17	25	20	17	24	20	16	24	19	16

Zonal Lumen Summary

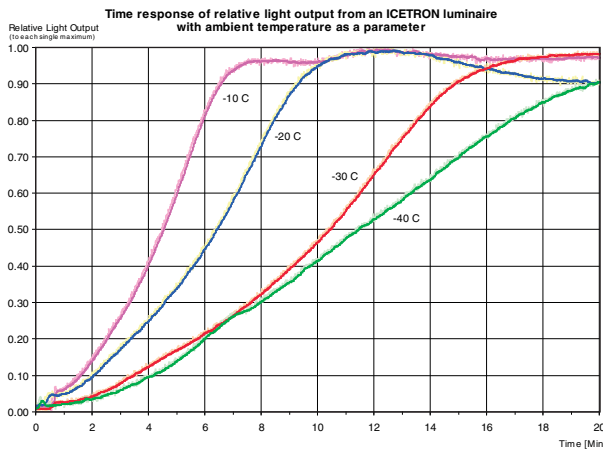
Zone	Lumens	% Lamp	% Luminaire
0-30	1872	17	23
0-40	3013	27	38
0-60	5397	49	68
0-90	7608	69	95
90-120	339	3	4
90-150	382	3	5
90-180	382	3	5
0-180	7990	73	100

Total Luminaire Optical Efficiency = 73.0%
Spacing Criterion: 0° = 1.19, 90° = 1.27

ELECTRODELESS CUBE LITE ORDERING INFORMATION:

H9	LAMP/BALLAST COMB	LENS	OPT MAT	MAX AMBIENT	OPTIONS	VOLTAGE
H9 Damp Location	100/QT100 100W lamp + 100W ballast -40° 100/QT150 100W lamp + 150W ballast -40°	5 Acrylic Drop Lens (base) 8 Polycarbonate Drop Lens 9 .187 Tempered Glass (P62) Tempered Glass Lens is flat and changes overall height.		98F	FUSING F2 GMF/HLR Fusing (Slow) MOUNTING M1 Pendant Mount (Pendants By Others) M2 Mounting Bracket Kit (Surface) MISC P9 Special Paint Color (Provide Paint Code & Chip) S1 Special Material (Consult Agent) T3 Tamper Resistant (Hex w/pin STD, Others Avail) L9 Specify Lamp Color Temperature (K) Add hyphens between options *S2 Stainless Steel Housing *S3 Stainless Steel Exterior *S5 Stainless Steel Lens Frame Only	120V-277V60Hz STD 50Hz Available

Note:
Low starting temperatures require run-up time. Consult factory for details. (Chart provided by Osram-Sylvania.)



Supplied with integrated lamp/ballast system.

Other color temperatures, wattages and materials are available, Consult factory.

Information subject to change without notice.

© 2010 Paramount Industries, Inc. P.O. Box 259 Crosswell, MI 48422

Project Information: