

J4 Series

FLUORESCENT | SURFACE **S**



VANDALUME®
APPLICATIONS:

- UL/CUL Listed
Damp Location
- Industrial & Commercial

BENEFITS:

- Luminaires adaptable to your specific needs
- Heavy duty, vandal-resistant

FEATURES:

- Premium electronic ballast standard
- Available in stainless steel construction
- Every luminaire tested with lamps to assure customer satisfaction
- 5 year limited warranty
- Proudly made in **USA**

SPECIFICATIONS:

HOUSING:

Constructed of 18GA (.048) zinc coated steel for unmatched corrosion protection. A welded, tapered, threaded flange on the back of the housing provides a sealed wireway access.

REFLECTOR:

Fabricated of zinc coated steel, painted with a minimum reflectance of 88%.

GASKETING:

.187 EPDM is used to seal the lens to the housing.

FINISH:

Painted surfaces are two mil white polyester enamel, special colors available.

LENS:

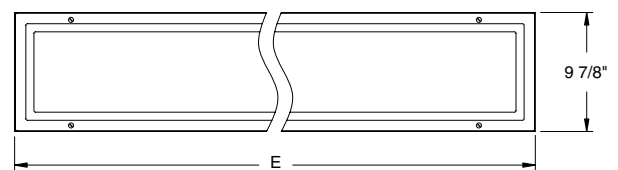
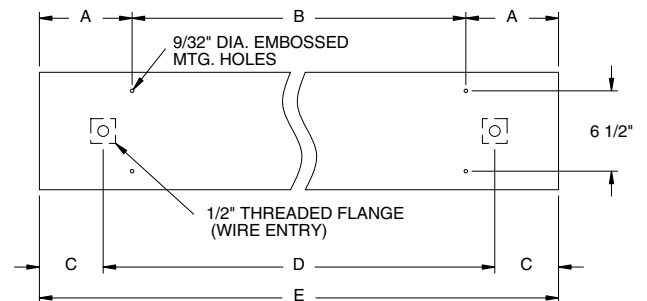
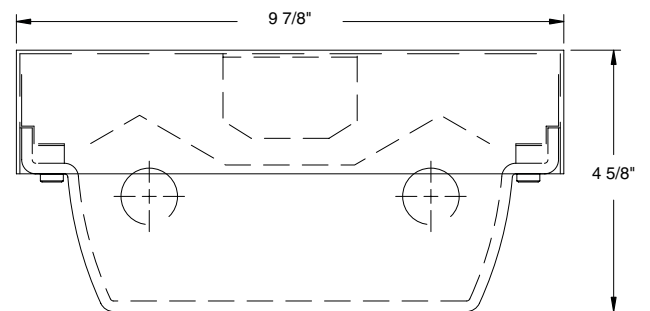
Nominal .177 high-impact clear polycarbonate, with prism design on the bottom and vertical perimeter ribs for light control. Tamperproof screws hold the lens tight to the body (#10 Spanner standard, other screw types available).

ELECTRICAL:

All ballasts and lampholders are UL Listed.

MOUNTING:

Surface or custom detail for covered ceiling installations. For further information, contact Sales Representative.



LENGTH	DIMENSIONS IN INCHES				
	A	B	C	D	E
2 FT	5 5/8	16	3 3/16	20 7/8	27 1/4
4 FT	9 5/8	32	9 5/8	32	51 1/4

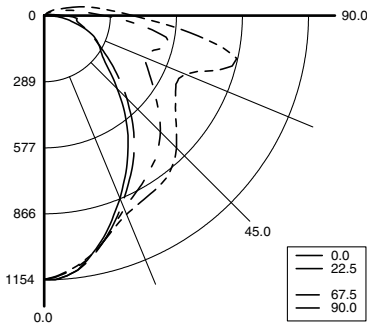
REV 1/05



J4 Series

PHOTOMETRICS:

Model J42328, 4FT, Specular Reflector and Light-controlled Polycarbonate Lens, 2 32W T8 Fluorescent Lamps, Lamp Lumen Rating = 3050



Coefficients of Utilization, Zonal Cavity Method

Floor Cavity Reflectance: 20%

RC	.8				.7				.5				.3				.1				0
RW	.7	.5	.3	.1	.7	.5	.3	.1	.5	.3	.1	.5	.3	.1	.5	.3	.1	.5	.3	.1	0
R 0	66	66	66	66	64	64	64	64	60	60	60	57	57	57	54	54	54	52	52	52	52
C 1	58	55	52	49	56	53	50	48	50	48	45	47	45	43	44	43	41	40	40	40	40
R 2	52	47	42	39	50	45	41	38	43	39	36	40	37	35	38	36	34	32	32	32	32
3	48	41	36	32	46	40	35	31	37	33	30	35	32	29	33	30	28	26	26	26	26
4	43	36	31	27	42	35	30	26	33	29	25	31	28	25	30	26	24	22	22	22	22
5	40	32	27	23	38	31	26	22	30	25	22	28	24	21	27	23	21	19	19	19	19
6	37	29	24	20	35	28	23	20	27	22	19	25	22	19	24	21	18	17	17	17	17
7	34	26	21	17	33	26	21	17	24	20	17	23	19	17	22	19	16	15	15	15	15
8	32	24	19	16	31	23	19	15	22	18	15	21	18	15	20	17	14	13	13	13	13
9	30	22	17	14	29	21	17	14	21	16	14	20	16	13	19	15	13	12	12	12	12
10	28	20	16	13	27	20	15	13	19	15	12	18	15	12	17	14	12	11	11	11	11

Zonal Lumen Summary

Zone	Lumens	% Lamp	% Luminaire
0-30	789	12.9	22.9
0-40	1253	20.5	36.4
0-60	2146	35.2	62.3
0-90	3204	52.5	93
90-120	225	3.7	6.5
90-130	237	3.9	6.9
90-150	241	4	7
90-180	241	4	7
0-180	3445	56.5	100

Total Luminaire Optical Efficiency = 56.5%
Spacing Criterion: 0° = 0.98, 90° = 1.18

VANDALUME® LUMINAIRE ORDERING INFORMATION:

J4	LAMP QTY	LAMP TYPE	8	OPT MATERIAL	OPTIONS	VOLTAGE
J4 Damp Location	1 2 Standard 3		8 .177 Light Control Polycarbonate		EMERGENCY (4FT Only) B1 Bodine BDL700 (0-50°C) B2 Bodine BDL500 (0-50°C) B3 Bodine BDL900 (0-50°C) BALLASTS D1 Lutron Dimming ECO-10 D2 Electronic Dimming D4 < 10% THD (Consult Factory) D8 Low-Temp Magnetic Ballast (N/A T8) D9 Magnetic Ballast E2 2 Electronic Ballasts E3 3 Electronic Ballasts E9 Rapid Start Electronic Ballast FUSING F1 GLR/HLR Fusing (Fast) F2 GMF/HLR Fusing (Slow) LENSING J0 Lamp Sleeves (Specify Color) MOUNTING M1 Pendant Mount (Pendants By Others) M2 Mounting Bracket Kit (Surface / Chain) M6 Angled Mounting Bracket (Consult Agent) MISC P9 Special Paint Color (Provide Paint Code & Chip) S1 Special Material (Consult Agent) Y1 Nite Lite (Consult Agent)	120V/60Hz Standard 277V/60Hz 347V/60Hz 50Hz & Other Voltages Available
17 F17T8 (2FT) 0° 28T5 F28T5 (4FT) 0° 32 F32T8 (4FT) 0° 48H F48T12/HO (4FT) N/A 3L -20° 48T8H F48T8/HO (4FT) N/A 3L -20° 54T5H F54T5/HO (4FT) N/A 3L 0°			S3 Stainless Steel Exterior 304 SS Standard, 316 SS and other materials available, consult agent			

3 Lamp Not Available With HO Lamps.
Other Wattages Available, Consult Factory.

Project Information:

Information subject to change without notice. Lamps supplied by others.

© 2005 Paramount Industries, Inc. P.O. Box 259 Crosswell, MI 48422