

HID PERIMETER LITE APPLICATIONS:

- UL/CUL Listed Damp Location
- Industrial & Commercial
- Transit

BENEFITS:

- Luminaires adaptable to your specific needs

FEATURES:

- Tool-free entry standard
- Available in stainless steel construction
- Every luminaire tested with lamps to assure customer satisfaction
- 5 year limited warranty
- Proudly made in **USA**

SPECIFICATIONS:

HOUSING:

Constructed of nominal 20GA (.036) zinc coated steel for unmatched corrosion protection. One welded, tapered, threaded flange on the back provides a sealed wireway access. All seams are sealed with a long life acrylic sealant.

REFLECTOR:

Fabricated of diffuse aluminum.

LENS FRAME:

18GA (.048) stainless steel with captive thumb screws used to hold the lens frame tight to the housing. The frame is supported by a stainless steel piano hinge for ease of servicing.

GASKETING:

Adhesive sealant is used to seal the lens into the lens frame. EPDM gasket used to seal the frame to the housing.

FINISH:

Painted surfaces are two mil of white polyester enamel, special colors available.

LENS:

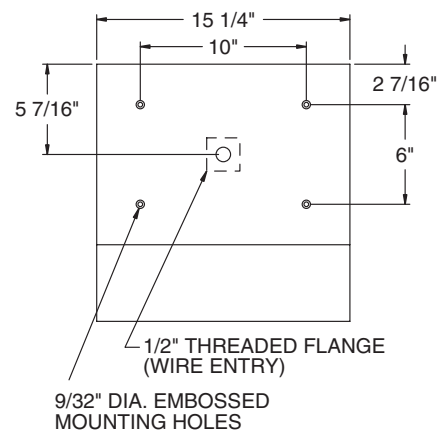
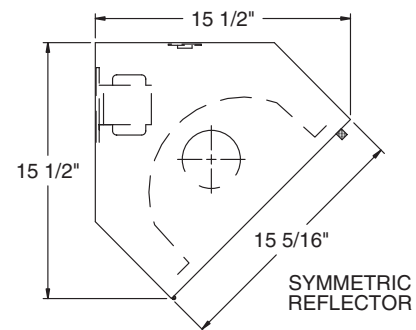
.187 pattern 62 tempered glass.

ELECTRICAL:

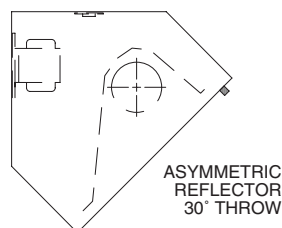
Core and coil ballast standard. Porcelain mogul base lampholder has a nickel plated screw shell. Mogul base lampholder is provided for lamps 100W or higher; for less than 100W, provided with medium base lampholder.

MOUNTING:

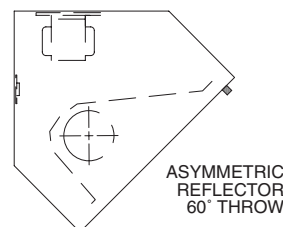
Surface or custom detail available for covered ceiling installations.



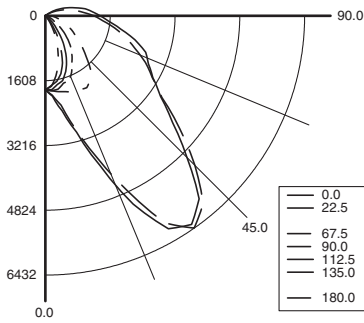
R4 OPTION (SHOWN WITH CEILING MNT.)



R0 OPTION (SHOWN WITH M9 WALL MNT. OPTION)



PHOTOMETRICS: For additional photometry, go to paramountlighting.com
 Model P1175M9, Diffuse Aluminum Reflector And Tempered Clear Glass Lens, 1 175W MH Lamp, Lamp Lumen Rating = 14400



Coefficients of Utilization, Zonal Cavity Method

Floor Cavity Reflectance: 20%

RC	.8				.7				.5				.3				.1				0
RW	.7	.5	.3	.1	.7	.5	.3	.1	.5	.3	.1	.5	.3	.1	.5	.3	.1	.5	.3	.1	0
R 0	65	65	65	65	63	63	63	63	59	59	59	56	56	56	53	53	53	51	51	51	51
C 1	58	55	53	50	56	54	51	49	51	49	47	48	46	45	45	44	43	41	41	41	41
R 2	53	48	44	40	51	47	43	40	44	41	38	42	39	37	39	37	35	34	34	34	34
3	48	42	37	33	46	41	36	33	39	35	32	36	33	31	35	32	30	28	28	28	28
4	44	37	32	28	42	36	31	28	34	30	27	32	29	26	31	28	25	24	24	24	24
5	40	33	28	24	39	32	27	24	30	26	23	29	25	22	28	24	22	21	21	21	21
6	37	29	24	21	36	29	24	21	27	23	20	26	22	20	25	22	19	18	18	18	18
7	34	27	22	18	33	26	21	18	25	21	18	24	20	17	23	19	17	16	16	16	16
8	32	24	19	16	31	24	19	16	23	18	16	22	18	15	21	17	15	14	14	14	14
9	30	22	17	14	29	21	17	14	21	17	14	20	16	14	19	16	13	12	12	12	12
10	28	20	16	13	27	20	15	13	19	15	12	18	15	12	17	14	12	11	11	11	11

Zonal Lumen Summary

Zone	Lumens	% Lamp	% Luminaire
0-30	1761	12.2	22
0-40	3203	22.2	39.9
0-60	5639	39.2	70.3
0-90	7489	52	93.4
90-120	517	3.6	6.4
90-130	532	3.7	6.6
90-150	532	3.7	6.6
90-180	532	3.7	6.6
0-180	8022	55.7	100

Total Luminaire Optical Efficiency = 55.7%
 Spacing Criterion: 0° = 2.54, 90° = 1.10

HID PERIMETER LITE ORDERING INFORMATION:

P1	LAMP WATTS	LAMP TYPE	9	OPT MAT	OPTIONS	VOLTAGE
P1 Damp Location		M MH S HPS	9 .187 Tempered Glass (P62)		BALLASTS D6 Pulse Start (MH) FUSING F2 GMF/HLR Fusing (Slow) L1 Medium Base Lampholder (100W-150W) LENSING H5 .156 C73 Tempered Glass H6 .187 Clear Tempered Glass J2 .060 Clear Acrylic Overlay J6 .080 Clear Polycarbonate Overlay K0 .200 V825 Acrylic K6 External Prisms MOUNTING M9 Wall Mounting MISC P9 Special Paint Color (Provide Paint Code & Chip) R0 Asymmetric Reflector 60° Throw (Specify If Wall Mnt) R4 Asymmetric Reflector 30° Throw (Specify If Wall Mnt) S1 Special Material (Consult Agent) T3 Tamper Resistant (Hex w/pin STD, Others Avail) Y3 Quartz Restrike	120V/60Hz Standard 208V/60Hz 240V/60Hz 277V/60Hz 347V/60Hz 480V/60Hz 50Hz Available
	50 Medium Base 70 Medium Base 100 Medium Base 150 Mogul Base, HPS only 175 Mogul Base, MH only		S3 Stainless Steel Exterior 304 SS Standard, 316 SS and other materials available, consult agent			

Add hyphens between options

Project Information:

Information subject to change without notice. Lamps supplied by others.

© 2005 Paramount Industries, Inc. P.O. Box 259 Crosswell, MI 48422