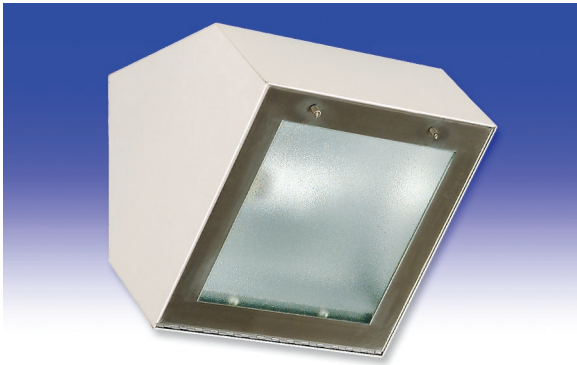




# P2 Series

HID | SURFACE **S**



### HID PERIMETER LITE

#### APPLICATIONS:

- UL/CUL Listed Damp Location
- Industrial & Commercial
- Transit

#### BENEFITS:

- Luminaires adaptable to your specific needs

#### FEATURES:

- Tool-free entry standard
- Available in stainless steel construction
- Every luminaire tested with lamps to assure customer satisfaction
- 5 year limited warranty
- Proudly made in **USA**

## SPECIFICATIONS:

#### HOUSING:

Constructed of nominal 20GA (.036) zinc coated steel for unmatched corrosion protection. One welded, tapered, threaded flange on the back provides a sealed wireway access. All seams are sealed with a long life acrylic sealant.

#### REFLECTOR:

Fabricated of diffuse aluminum.

#### LENS FRAME:

18GA (.048) stainless steel with captive thumb screws used to hold the lens frame tight to the housing. The frame is supported by a stainless steel piano hinge for ease of servicing.

#### GASKETING:

Adhesive sealant is used to seal the lens into the lens frame. EPDM gasket used to seal the frame to the housing.

#### FINISH:

Painted surfaces are two mil of white polyester enamel, special colors available.

#### LENS:

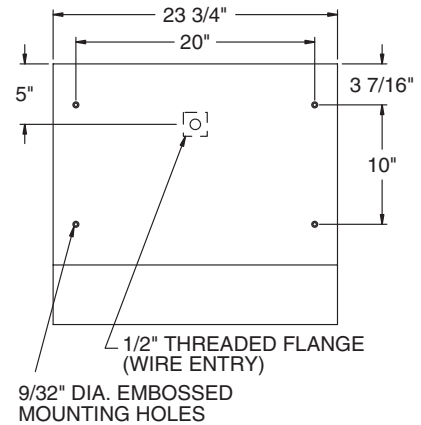
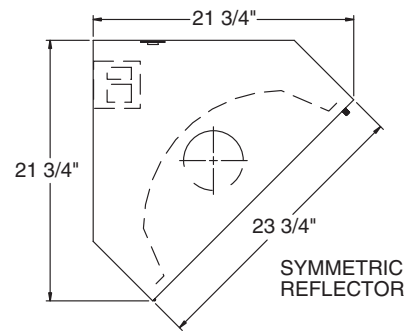
.187 pattern 62 tempered glass.

#### ELECTRICAL:

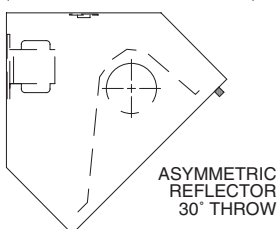
Core and coil ballast standard. Porcelain mogul base lampholder has a nickel plated screw shell. Mogul base lampholder is provided for lamps 100W or higher.

#### MOUNTING:

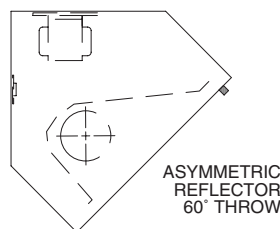
Surface or custom detail available for covered ceiling installations.



R4 OPTION  
(SHOWN WITH CEILING MNT.)



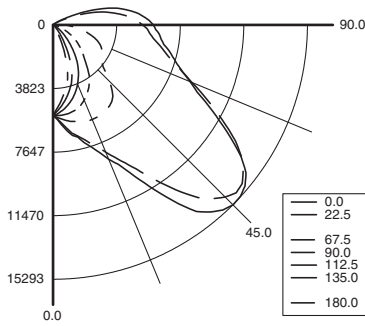
R0 OPTION  
(SHOWN WITH M9 WALL MNT. OPTION)



REV 6/08

## PHOTOMETRICS: For additional photometry, go to [paramountlighting.com](http://paramountlighting.com)

Model P2400M9S3, Semi-specular Symmetric Reflector And Tempered Glass Lens, 1 400W BT-37 MH Lamp, Lamp Lumen Rating = 40000



### Coefficients of Utilization, Zonal Cavity Method

Floor Cavity Reflectance: 20%

RC	.8				.7				.5				.3				.1				0
RW	.7	.5	.3	.1	.7	.5	.3	.1	.5	.3	.1	.5	.3	.1	.5	.3	.1	.5	.3	.1	0
R 0	75	75	75	75	72	72	72	72	68	68	68	63	63	63	59	59	59	58			
C 1	66	62	59	56	64	60	57	54	56	54	51	53	51	49	49	48	46	44			
R 2	59	53	48	44	57	51	47	43	48	44	41	45	42	39	42	39	37	35			
3	54	46	40	35	51	44	39	35	41	37	33	39	35	32	36	33	30	29			
4	49	40	34	29	47	39	33	29	36	31	27	34	30	26	32	28	25	24			
5	44	35	29	24	42	34	28	24	32	27	23	30	26	22	28	25	21	20			
6	41	31	25	21	39	30	25	20	29	24	20	27	23	19	25	21	18	17			
7	37	28	22	18	36	27	22	18	26	21	17	24	20	17	23	19	16	15			
8	35	26	20	16	33	25	19	16	23	19	15	22	18	15	21	17	14	13			
9	32	23	18	14	31	23	17	14	21	17	13	20	16	13	19	15	12	11			
10	30	21	16	12	29	21	16	12	20	15	12	19	14	12	18	14	11	10			

### Zonal Lumen Summary

Zone	Lumens	% Lamp	% Luminaire
0-30	4357	10.9	16.9
0-40	7566	18.9	29.4
0-60	15784	39.5	61.3
0-90	23233	58.1	90.3
90-120	2478	6.2	9.6
90-130	2509	6.3	9.7
90-150	2509	6.3	9.7
90-180	2509	6.3	9.7
0-180	25742	64.4	100

Total Luminaire Optical Efficiency = 64.4%  
Spacing Criterion: 0° = 2.79, 90° = 1.17

## HID PERIMETER LITE ORDERING INFORMATION:

<b>P2</b>			<b>9</b>				
<b>SERIES</b>	<b>LAMP WATTS</b>	<b>LAMP TYPE</b>	<b>LENS</b>	<b>OPT MAT</b>	<b>OPTIONS</b>	<b>VOLTAGE</b>	
P2 Damp Location	200 MH only 250 320 MH only 350 MH only 400	M MH Mogul Base S HPS Mogul Base	9 .187 Tempered Glass (P62)		<b>BALLASTS</b> <b>D6</b> Pulse Start (MH) <b>FUSING</b> <b>F2</b> GMF/HLR Fusing (Slow) <b>LENSING</b> <b>H5</b> .156 C73 Tempered Glass <b>H6</b> .187 Clear Tempered Glass <b>J2</b> .060 Clear Acrylic Overlay <b>J6</b> .080 Clear Polycarbonate Overlay <b>K0</b> .200 V825 Acrylic <b>K6</b> External Prisms <b>MOUNTING</b> <b>M9</b> Wall Mounting <b>MISC</b> <b>P9</b> Special Paint Color (Provide Paint Code & Chip) <b>R0</b> Asymmetric Reflector 60° Throw (Specify If Wall Mnt) <b>R4</b> Asymmetric Reflector 30° Throw (Specify If Wall Mnt) <b>S1</b> Special Material (Consult Agent) <b>T3</b> Tamper Resistant (Hex w/pin STD, Others Avail) <b>Y3</b> Quartz Restrike	120V/60Hz Standard 208V/60Hz 240V/60Hz 277V/60Hz 347V/60Hz 480V/60Hz 50Hz Available	
			<b>S3</b> Stainless Steel Exterior 304 SS Standard, 316 SS and other materials available, consult agent				

*Add hyphens between options*

**Project Information:**

Information subject to change without notice. Lamps supplied by others.

© 2005 Paramount Industries, Inc. P.O. Box 259 Crosswell, MI 48422