

TECHNISEAL® APPLICATIONS:

- UL/CUL Listed Wet Location
- Cleanroom
(Classes 100-100,000; ISO Classes 5-9)
- NSF Certified Food Processing
(Splash Zone, Food Zone)
- Industrial & Commercial
- Transit

BENEFITS:

- Unique 2 inch low profile design
- Linear T5 lamp technology
- Luminaires adaptable to your specific needs

FEATURES:

- Premium electronic ballast standard
- Available in stainless steel construction
- Every luminaire tested with lamps to assure customer satisfaction
- 5 year limited warranty
- Proudly made in **USA**

SPECIFICATIONS:

HOUSING:

Constructed of nominal 20GA (.036) zinc coated steel for unmatched corrosion protection. Knockouts on the back of the luminaire provide wireway access. All seams are sealed with a long life acrylic sealant.

Splash and Food Zone: Welded, tapered, threaded flanges on the back provide a sealed wireway.

Food Zone: All external metal components of stainless steel (S3 option std).

LENS FRAME:

Exclusively designed, heavy duty, extruded, anodized aluminum with stainless steel captive screws used to hold the lens frame tight to the housing. The frame is supported by two cables while servicing.

Food Zone: All external metal components of stainless steel (S3 option std).

GASKETING:

An extruded, ribbed vinyl gasket seals the lens into the frame, with our exclusive mechanically held, extruded, silicone gasket used to seal the frame to the housing.

Food Zone: Silicone sealant is used to seal the lens into the frame, with EPDM sealing the frame to the housing.

FINISH:

Painted surfaces are two mil of white polyester enamel, special colors available.

LENS:

.140 extruded prismatic acrylic with 50% DR content for durability, smooth side out.

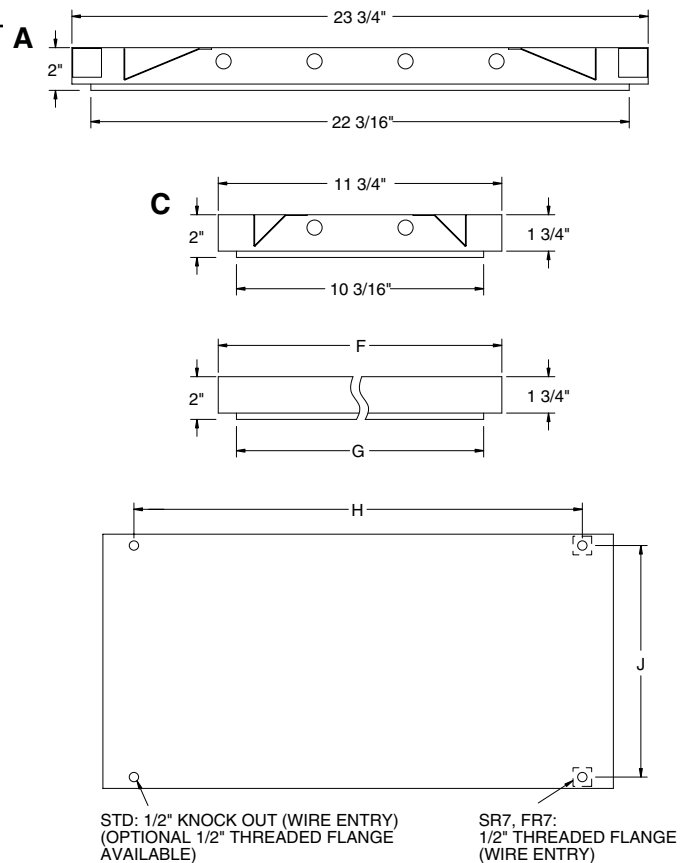
Food Zone: .156 extruded prismatic polycarbonate, smooth side out.

ELECTRICAL:

All ballasts and lampholders are UL Listed.

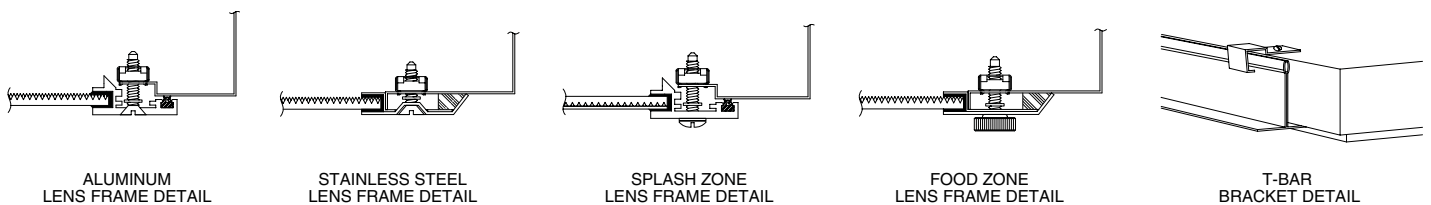
MOUNTING:

Grid or custom detail available for covered ceiling installations.



CROSS-SECTION (WIDTH)	DIMENSIONS IN INCHES			
	F	G	H	J
A 23 3/4"	23 3/4	22 3/16	18	20 7/16
	47 3/4	46 3/16	42	20 7/16
C 11 3/4"	23 3/4	22 3/16	18	8 7/16
	47 3/4	46 3/16	42	8 7/16

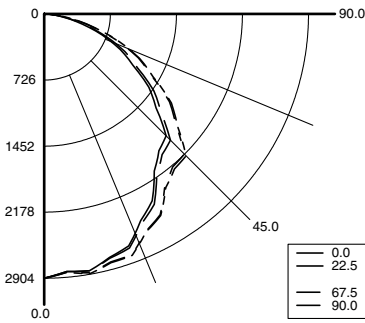
LENS FRAME DETAILS:





PHOTOMETRICS:

Model R7A428T54, 4FT, White Painted Interior and Prismatic Acrylic Lens, 4 28W T5 Lamps, Lamp Lumen Rating = 2900



Coefficients of Utilization, Zonal Cavity Method

Floor Cavity Reflectance: 20%

RC	.8				.7				.5				.3				.1				0
RW	.7	.5	.3	.1	.7	.5	.3	.1	.5	.3	.1	.5	.3	.1	.5	.3	.1	.5	.3	.1	0
R 0	86	86	86	86	84	84	84	84	80	80	80	77	77	77	74	74	74	72			
C 1	79	75	72	70	77	74	71	68	71	68	66	68	66	64	65	64	62	61			
R 2	72	66	61	57	70	64	60	56	62	58	55	59	56	53	57	55	52	51			
3	65	58	52	47	63	56	51	47	54	50	46	52	48	45	50	47	44	43			
4	60	51	45	40	58	50	44	39	48	43	39	46	42	38	45	41	38	36			
5	55	45	39	34	53	45	38	34	43	38	33	42	37	33	40	36	33	31			
6	51	41	34	30	49	40	34	30	39	33	29	38	33	29	36	32	29	27			
7	47	37	31	26	46	36	30	26	35	30	26	34	29	26	33	29	25	24			
8	44	34	27	23	42	33	27	23	32	27	23	31	26	23	30	26	23	21			
9	41	31	25	21	40	30	25	21	30	24	21	29	24	21	28	24	20	19			
10	38	28	23	19	37	28	23	19	27	22	19	27	22	19	26	22	19	17			

Zonal Lumen Summary

Zone	Lumens	% Lamp	% Luminaire
0-30	2284	20	27
0-40	3699	32	44
0-60	6630	57	79
0-90	8341	72	100
90-120	0	0	0
90-150	0	0	0
90-180	0	0	0
0-180	8341	72	100

Total Luminaire Optical Efficiency = 72.0%
Spacing Criterion: 0° = 1.20, 90° = 1.27

TECHNISEAL® LOW PROFILE GRID TROFFER ORDERING INFORMATION:

SERIES	WIDTH	LAMP QTY	LAMP TYPE	LENS	OPT MAT	OPTIONS	VOLTAGE
R7 Wet Location Cleanroom		C 11 3/4" A 23 3/4"		2 .125 Clear Acrylic (No Pattern) 3 .125 White Acrylic 4 .140 Prismatic Acrylic (P12) (base) 6 .125 Clear Polycarbonate (No Pattern) 7 .125 White Polycarbonate 8 .156 Prismatic Polycarbonate (P12) 9 .187 Tempered Glass (P62)		B0 Bodine LP500 (4FT Only) I9 IOTA ISL-54 Dry (4FT Only)	120V/60Hz Standard 277V/60Hz 347V/60Hz
SR7 Splash Zone				LENSES AVAILABLE FOR FOOD ZONE 6 .125 Clear Polycarbonate (No Pattern) 7 .125 White Polycarbonate 8 .156 Prismatic Polycarbonate (P12) (base) 9 .187 Tempered Glass (P62)		F1 GLR/HLR Fusing (Fast) F2 GMF/HLR Fusing (Slow)	50Hz & Other Voltages Available
FR7 Food Zone				S2 Stainless Steel Housing S3 Stainless Steel Exterior S5 Stainless Steel Lens Frame Only		LENSING H2 .150 Extra Heavy Clear Acrylic H3 .150 Extra Heavy White Acrylic H5 .156 C73 Tempered Glass H6 .187 Clear Tempered Glass J2 .060 Clear Acrylic Overlay J6 .080 Clear Polycarbonate Overlay J9 RFI Lens (Specify Pattern) K1 .156 Prismatic Acrylic (P19) K3 .187 KSH-12 Acri-Tuf Acrylic K6 External Prisms (N/A Splash/Food Zones)	
14T5 F14T5 (2FT)		0°		304 SS Standard, 316 SS and other materials available, consult agent		MISC P9 Special Paint Color (Provide Paint Code & Chip) S1 Special Material (Consult Agent) T3 Tamper Resistant (Spanner STD, Others Avail.)	
28T5 F28T5 (4FT)		0°				Add hyphens between options	

1 Inch T-Bar Standard

* Lamp Type Available for Hazardous Location.

NSF Food Processing Note:

Food Zone (F prefix) luminaires come in DIRECT CONTACT with food.
Splash Zone (S prefix) units may become soiled, but are outside the danger of recontamination.

Information subject to change without notice. Lamps supplied by others.

© 2005 Paramount Industries, Inc. P.O. Box 259 Crosswell, MI 48422

Project Information: