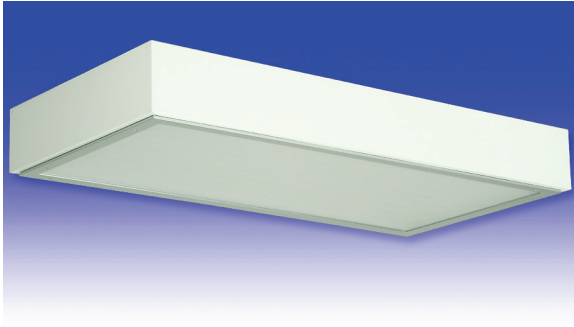


# S2A Series

**FLUORESCENT | SURFACE** 



**2x TECHNISEAL® APPLICATIONS:**

- UL/CUL Listed Dry Location
- Industrial & Commercial
- Transit

**BENEFITS:**

- Luminaires adaptable to your specific needs

**FEATURES:**

- Premium electronic ballast standard
- Available in stainless steel construction
- Every luminaire tested with lamps to assure customer satisfaction
- 5 year limited warranty
- Proudly made in **USA**

## SPECIFICATIONS:

**HOUSING:**

Constructed of nominal 20GA (.036) zinc coated steel for unmatched corrosion protection. Wireway access and convection louvers on top. All seams are sealed with a long life acrylic sealant.

**REFLECTOR:**

Fabricated of zinc coated steel, painted with a minimum reflectance of 88%.

**LENS FRAME:**

Exclusively designed, heavy duty, extruded, anodized aluminum with stainless steel captive screws used to hold the lens frame tight to the housing. The frame is supported by two cables while servicing.

**GASKETING:**

An extruded, ribbed vinyl gasket seals the lens into the frame; with our exclusive, mechanically held, extruded, silicone gasket used to seal the frame to the housing.

**FINISH:**

Painted surfaces are two mil white polyester enamel, special colors available.

**LENS:**

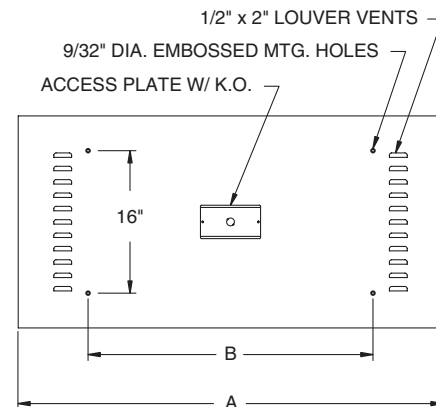
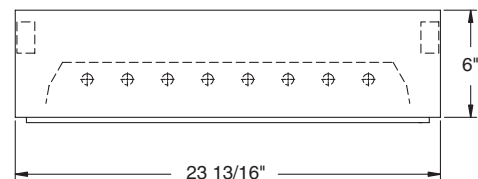
.140 extruded prismatic acrylic with 50% DR content for durability, smooth side out.

**ELECTRICAL:**

All ballasts and lampholders are UL Listed.

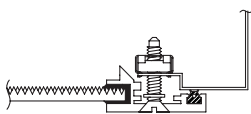
**MOUNTING:**

Surface, pendant or custom detail available.  
Surface mounting is not flush mount.

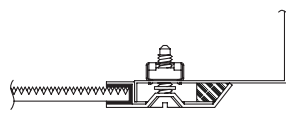


LENGTH	DIMENSIONS IN INCHES	
	A	B
2 FT	23 11/16	10
4 FT	47 11/16	32

## LENS FRAME DETAILS:



ALUMINUM LENS FRAME DETAIL



STAINLESS STEEL LENS FRAME DETAIL

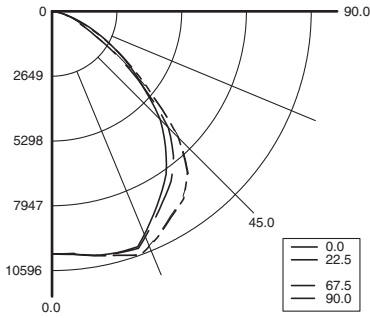


# S2A Series



PHOTOMETRICS: For additional photometry, go to [paramountlighting.com](http://paramountlighting.com)

Model S2A854T5H4/6, 4FT, Specular Reflector and Prismatic Acrylic Lens, 8 32W T5/HO Lamps, Lamp Lumen Rating = 5000



### Coefficients of Utilization, Zonal Cavity Method

Floor Cavity Reflectance: 20%

RC	.8			.7			.5			.3			.1			0		
RW	.7	.5	.3	.1	.7	.5	.3	.1	.5	.3	.1	.5	.3	.1	0			
R 0	74	74	74	74	72	72	72	72	69	69	69	66	66	66	63	63	63	62
C 1	69	66	64	62	67	65	63	61	62	61	59	60	59	58	58	57	56	55
R 2	64	59	56	53	62	58	55	52	56	53	51	54	52	50	52	50	49	47
3	59	53	49	45	57	52	48	45	50	47	44	49	46	43	47	45	42	41
4	54	48	43	39	53	47	42	39	45	41	38	44	40	38	43	40	37	36
5	50	43	38	34	49	42	37	34	41	37	34	40	36	33	39	35	33	32
6	46	39	34	30	45	38	33	30	37	33	30	36	32	30	35	32	29	28
7	43	35	30	27	42	35	30	27	34	30	27	33	29	26	32	29	26	25
8	40	32	27	24	39	32	27	24	31	27	24	30	27	24	30	26	24	22
9	38	30	25	22	37	29	25	22	29	25	22	28	24	21	27	24	21	20
10	35	28	23	20	35	27	23	20	27	22	20	26	22	20	26	22	19	18

### Zonal Lumen Summary

Zone	Lumens	% Lamp	% Luminaire
0-30	8490	21	34
0-40	13996	35	57
0-60	22426	56	91
0-90	24759	62	100
90-120	0	0	0
90-150	0	0	0
90-180	0	0	0
0-180	24759	62	100

Total Luminaire Optical Efficiency = 62%  
Spacing Criterion: 0° = 1.29, 90° = 1.43

## 2x TECHNISEAL® SURFACE TROFFER ORDERING INFORMATION:

S2A SERIES	LAMP QTY	LAMP TYPE	LENS	OPT MATERIAL	OPTIONS	VOLTAGE
S2A Dry Location	4 6 8		2 .125 Clear Acrylic (No Pattern) 3 .125 White Acrylic 4 .140 Prismatic Acrylic (P12) (base) 6 .125 Clear Polycarbonate (No Pattern) 7 .125 White Polycarbonate 8 .156 Prismatic Polycarbonate (P12) 9 .187 Tempered Glass (P62)		<b>EMERGENCY (SPECIFY VOLTAGE)</b> <b>EM1</b> Bodine LP500 DRY/IOTA ISL28 DRY or similar <b>EM7</b> Bodine LP550 DRY/IOTA ISL-54 DRY or similar <b>BALLASTS (SPECIFY VOLTAGE)</b> <b>D1</b> Lutron Dimming ECO-10 <b>D2</b> Electronic Dimming <b>E2</b> 2 Electronic Ballasts <b>E3</b> 3 Electronic Ballasts <b>E4</b> 4 Electronic Ballasts <b>FUSING</b> <b>F1</b> GLR/HLR Fusing (Fast) <b>F2</b> GMF/HLR Fusing (Slow) <b>LENSING</b> <b>H0</b> Special Lens (Specify) <b>H2</b> .150 Extra Heavy Clear Acrylic <b>H3</b> .150 Extra Heavy White Acrylic <b>H5</b> .156 C73 Tempered Glass <b>H6</b> .187 Clear Tempered Glass <b>J2</b> .060 Clear Acrylic Overlay <b>J4</b> .020 White Acrylic Overlay (Lamp Side) <b>J6</b> .080 Clear Polycarbonate Overlay <b>K3</b> .187 KSH-12 Acri-Tuf Acrylic <b>K6</b> External Prisms <b>MISC</b> <b>P9</b> Special Paint Color (Provide Paint Code & Chip) <b>R5</b> Specular Aluminum Reflector <b>S1</b> Special Material (Consult Agent) <b>T3</b> Tamper Resistant (Hex w/pin STD, Others Avail) <b>V1</b> External Gasketing <b>W4</b> Inboard Outboard Wiring (Dual Switching) <b>W5</b> Rear Wire Entry	120V-277V/60Hz 347V/60Hz 50Hz & Other Voltages Available
14T5	F14T5 (2FT)	0°				
24T5H	F24T5/HO (2FT)	0°				
28T5	F28T5 (4FT)	0°				
54T5H	F54T5/HO (4FT)	0°				

\*S2 Stainless Steel Housing  
\*S3 Stainless Steel Exterior  
\*S5 Stainless Steel Lens Frame Only

\* Note:  
If Stainless Steel is ordered,  
304 SS Standard  
316 SS and other materials  
available, consult agent.

Add hyphens between options

Project Information:

Information subject to change without notice. Lamps supplied by others.

© 2010 Paramount Industries, Inc. P.O. Box 259 Crosswell, MI 48422