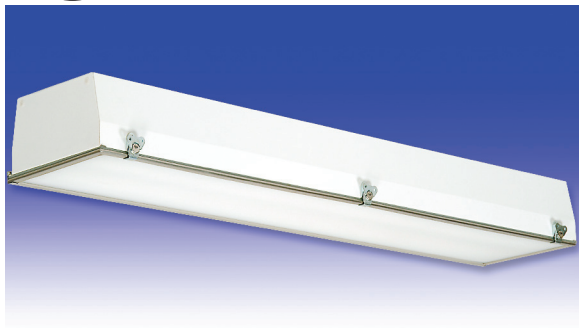


# T1 E&G Series

**FLUORESCENT | SURFACE** 



**ENCLOSED & GASKETED INDUSTRIAL LITE APPLICATIONS:**

- UL/CUL Listed Damp Location
- Industrial & Commercial

**BENEFITS:**

- Luminaires adaptable to your specific needs

**FEATURES:**

- Easy access to lamps, unique lift off lens frame & cam action latches
- Premium electronic ballast standard
- Every luminaire tested with lamps to assure customer satisfaction
- 5 year limited warranty
- Proudly made in **USA**

## SPECIFICATIONS:

**HOUSING:**

Constructed of 20GA (.036) zinc coated steel for unmatched corrosion protection. Two welded, tapered, threaded flanges on the top of the housing provides a sealed wireway access. All seams are sealed with long life acrylic sealant.

**REFLECTOR:**

Fabricated of zinc coated steel, painted with a minimum reflectance of 88%.

**LENS FRAME:**

Unique "Lift Off" designed frame is fabricated of nominal 20GA (.036) stainless steel, with cam action latches to hold the lens frame tight to the housing.

**GASKETING:**

An extruded ribbed vinyl gasket seals the lens into the frame and extruded EPDM is used to seal the lens frame to the housing.

**FINISH:**

Painted surfaces are two mil of white polyester enamel.

**LENS:**

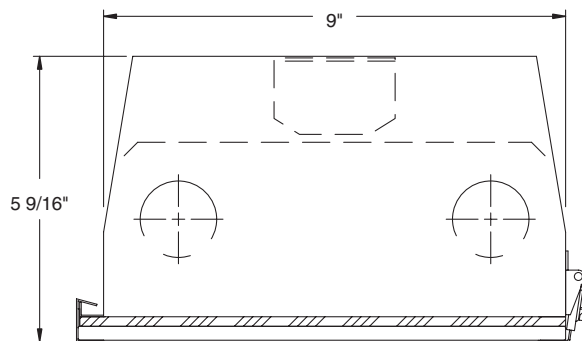
.125 white translucent cell cast virgin acrylic.

**ELECTRICAL:**

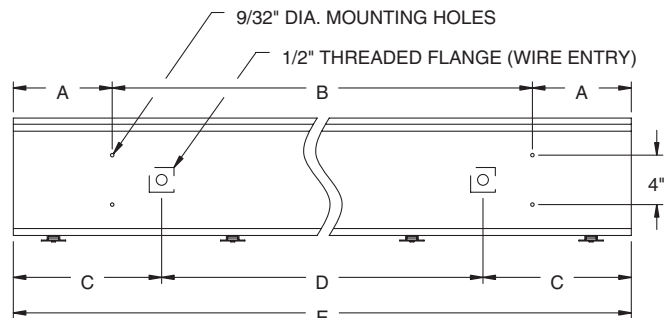
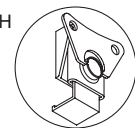
All ballasts and lampholders are UL Listed.

**MOUNTING:**

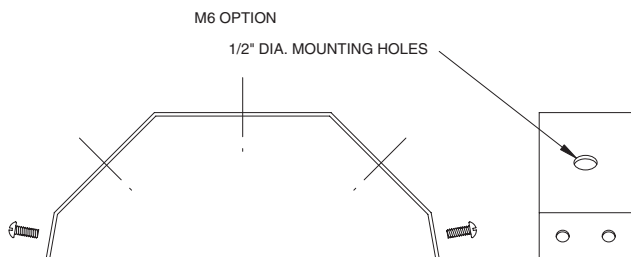
Surface, chain or custom detail for covered ceiling installations.



CAM LATCH



LENGTH	DIMENSIONS IN INCHES				
	A	B	C	D	E
2 FT	4	16	6	12	24
4 FT	8	32	12	24	48
8 FT	16	64	12	72	96



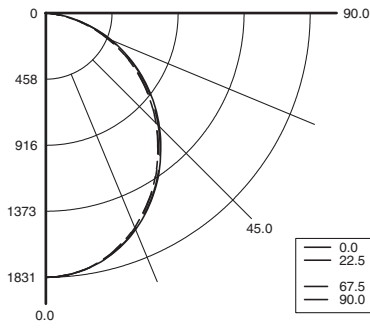


# T1 E&G Series



**PHOTOMETRICS:** For additional photometry, go to [paramountlighting.com](http://paramountlighting.com)

Model T12323, 4FT, Specular Reflector and White Acrylic Lens, 2 32W T8 Fluorescent Lamps, Lamp Lumen Rating = 3050



### Coefficients of Utilization, Zonal Cavity Method

Floor Cavity Reflectance: 20%

RC	.8				.7				.5				.3				.1				0
RW	.7	.5	.3	.1	.7	.5	.3	.1	.5	.3	.1	.5	.3	.1	.5	.3	.1	.5	.3	.1	0
R 0	91	91	91	91	89	89	89	89	85	85	85	81	81	81	78	78	78	76	76	76	76
C 1	84	80	77	74	82	78	76	73	75	73	71	72	70	68	69	68	66	65	65	65	65
R 2	76	70	65	61	74	69	64	60	66	62	59	63	60	57	61	58	56	54	54	54	54
3	70	62	56	51	68	60	55	50	58	53	49	56	52	49	54	51	48	46	46	46	46
4	64	55	48	43	62	54	48	43	52	46	42	50	45	42	48	44	41	39	39	39	39
5	59	49	42	37	57	48	42	37	47	41	37	45	40	36	44	39	36	34	34	34	34
6	54	44	37	33	53	43	37	32	42	36	32	41	36	32	40	35	32	30	30	30	30
7	50	40	33	29	49	39	33	29	38	33	28	37	32	28	36	32	28	27	27	27	27
8	47	37	30	26	46	36	30	26	35	29	25	34	29	25	33	29	25	24	24	24	24
9	44	34	27	23	43	33	27	23	32	27	23	31	26	23	31	26	23	21	21	21	21
10	41	31	25	21	40	31	25	21	30	24	21	29	24	21	28	24	21	21	21	21	21

### Zonal Lumen Summary

Zone	Lumens	% Lamp	% Luminaire
0-30	1382	22.6	29.5
0-40	2223	36.4	47.5
0-60	3801	62.3	81.2
0-90	4682	76.8	100
90-120	0	0	0
90-130	0	0	0
90-150	0	0	0
90-180	0	0	0
0-180	4682	76.8	100

Total Luminaire Optical Efficiency = 76.8%

Spacing Criterion: 0° = 1.19, 90° = 1.18

## E&G INDUSTRIAL LUMINAIRE ORDERING INFORMATION:

T1	2				
SERIES	LAMP QTY	LAMP TYPE	LENS	OPTIONS	VOLTAGE
T1 Damp		2 .125 Clear Acrylic (No Pattern) 3 .125 White Acrylic (base) 4 .140 Prismatic Acrylic (P12) 6 .125 Clear Polycarbonate (No Pattern) 7 .125 White Polycarbonate 8 .156 Prismatic Polycarbonate (P12)		<b>EMERGENCY (SPECIFY VOLTAGE)</b> <b>EM2</b> Bodine B700 WET/IOTA I-48 WET or similar <b>EM3</b> Bodine BDL500 WET/IOTA I-320 WET or similar <b>EM4</b> Bodine BDL900 WET/IOTA I-40 WET or similar <b>BALLASTS (SPECIFY VOLTAGE)</b> <b>D4</b> < 10% THD (Consult Factory) <b>E0</b> Low-Temp Electronic (N/A T12 RS & VHO) <b>E2</b> 2 Electronic Ballasts <b>E9</b> Rapid Start Electronic Ballast <b>FUSING</b> <b>F1</b> GLR/HLR Fusing (Fast) <b>F2</b> GMF/HLR Fusing (Slow) <b>MISC</b> <b>K6</b> External Prisms <b>M6</b> Angled Mounting Bracket (Consult Agent) <b>P9</b> Special Paint Color (Provide Paint Code & Chip)	<b>120V-277V/60Hz STD</b> 347V/60Hz 50Hz & Other Voltages Available
17	F17T8 (2FT)	0°			
32	F32T8 (4FT)	0°			
48H	F48T12/HO (4FT)	-20°			
48T8H	F48T8/HO (4FT)	-20°			
96H	F96T12/HO (8FT)	-20°			
96T8	F96T8 (8FT) (59W)	50°			
96T8H	F96T8/HO (8FT)	-20°			

Add hyphens between options

Other Wattages Available, Consult Factory.

**Project Information:**

Information subject to change without notice. Lamps supplied by others.

© 2010 Paramount Industries, Inc. P.O. Box 259 Crosswell, MI 48422