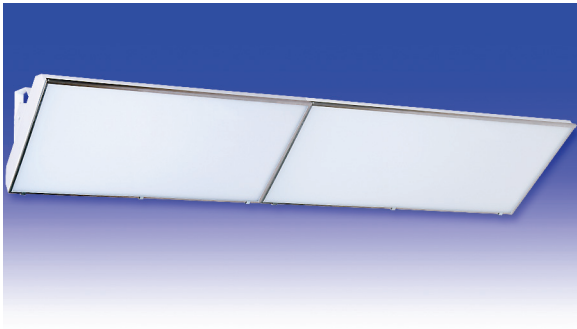


Y6 Series

FLUORESCENT | SURFACE 



RECREATION LITE APPLICATIONS:

- UL/CUL Listed Damp Location
- Industrial & Commercial

BENEFITS:

- Mesh covered back panel apertures provide 20% uplight
- Luminaires adaptable to your specific needs

FEATURES:

- Premium electronic ballast standard
- Easy access to lamps, unique lift off lens frame & cam action latches
- Every luminaire tested with lamps to assure customer satisfaction
- 5 year limited warranty
- Proudly made in **USA**

SPECIFICATIONS:

HOUSING:

Constructed of 18GA (.048) zinc coated steel for unmatched corrosion protection. Two knockouts on the ends of the housing provide wireway access. All seams are sealed with long life acrylic sealant.

LENS FRAME:

Unique "Lift Off" designed frame is fabricated of nominal 20GA (.036) stainless steel, with cam action latches to hold the lens frame tight to the housing.

GASKETING:

An extruded ribbed vinyl gasket seals the lens into the frame and EPDM is used to seal the lens frame to the housing.

FINISH:

Painted surfaces are two mil of white polyester enamel. Special colors available.

LENS:

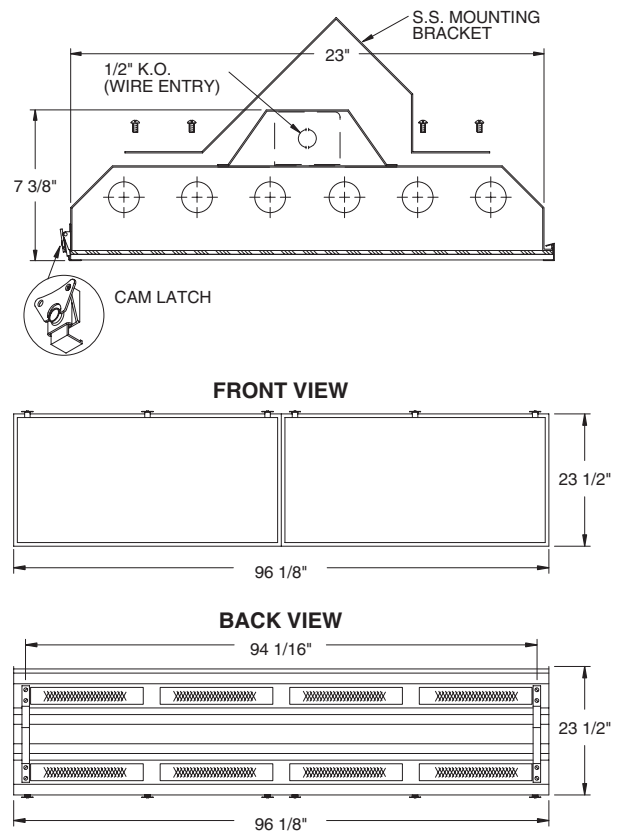
.125 white translucent acrylic.

ELECTRICAL:

All ballasts and lampholders are UL Listed.

MOUNTING:

Surface, chain or custom detail for covered ceiling installations.



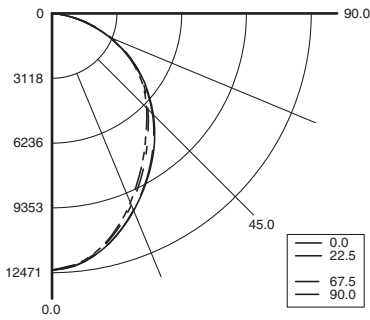


Y6 Series



PHOTOMETRICS: For additional photometry, go to paramountlighting.com

Model Y6696H4-E0, 8FT, Specular Reflector and Prismatic Acrylic Lens, 6 95W T12/HO Fluorescent Lamps, Lamp Lumen Rating = 8350



Coefficients of Utilization, Zonal Cavity Method

Floor Cavity Reflectance: 20%

RC	.8				.7				.5				.3				.1				0
RW	.7	.5	.3	.1	.7	.5	.3	.1	.5	.3	.1	.5	.3	.1	.5	.3	.1	.5	.3	.1	0
R 0	72	72	72	72	70	70	70	70	67	67	67	64	64	64	62	62	62	60	60	60	60
C 1	66	63	61	58	64	62	60	57	59	57	56	57	55	54	55	53	52	51	51	51	51
R 2	60	55	51	48	58	54	50	47	52	49	46	50	47	45	48	46	44	43	43	43	43
3	55	49	44	40	53	48	43	40	46	42	39	44	41	38	43	40	38	36	36	36	36
4	50	43	38	34	49	42	37	34	41	37	33	39	36	33	38	35	32	31	31	31	31
5	46	39	33	29	45	38	33	29	37	32	29	35	32	28	34	31	28	27	27	27	27
6	43	35	29	26	42	34	29	26	33	29	25	32	28	25	31	28	25	24	24	24	24
7	40	32	26	23	39	31	26	23	30	26	22	29	25	22	28	25	22	21	21	21	21
8	37	29	24	20	36	28	24	20	28	23	20	27	23	20	26	23	20	19	19	19	19
9	35	27	22	18	34	26	21	18	25	21	18	25	21	18	24	21	18	17	17	17	17
10	32	24	20	17	32	24	20	17	24	19	16	23	19	16	22	19	16	15	15	15	15

Zonal Lumen Summary

Zone	Lumens	% Lamp	% Luminaire
0-30	9093	18.1	29.9
0-40	14381	28.7	47.3
0-60	24516	48.9	80.7
0-90	30386	60.7	100
90-120	0	0	0
90-130	0	0	0
90-150	0	0	0
90-180	0	0	0
0-180	30386	60.7	100

Total Luminaire Optical Efficiency = 60.7%
Spacing Criterion: 0° = 1.12, 90° = 1.05

RECREATION LITE ORDERING INFORMATION:

Y6 SERIES	6 LAMP QTY	LAMP TYPE	LENS	OPTIONS	VOLTAGE
Y6 Damp		<ul style="list-style-type: none"> 2 .125 Clear Acrylic (No Pattern) 3 .125 White Acrylic (base) 4 .140 Prismatic Acrylic (P12) 6 .125 Clear Polycarbonate (No Pattern) 7 .125 White Polycarbonate 		<p>FUSING</p> <p>F1 GLR/HLR Fusing (Fast)</p> <p>F2 GMF/HLR Fusing (Slow)</p> <hr/> <p>MISC</p> <p>P9 Special Paint Color (Provide Paint Code & Chip)</p> <p>Add hyphens between options</p>	<p>120V-277V/60Hz STD</p> <p>347V/60Hz</p> <p>50Hz & Other Voltages Available</p>
96H F96T12/HO (8FT) -20°					
96T8 F96T8 (8FT) (59W) 50°					
96T8H F96T8/HO (8FT) -20°					

Project Information:

Information subject to change without notice. Lamps supplied by others.

© 2010 Paramount Industries, Inc. P.O. Box 259 Crosswell, MI 48422