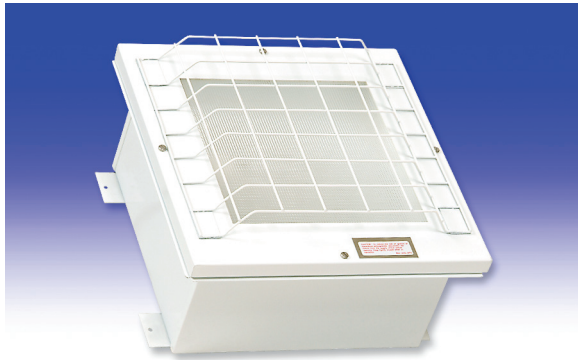




ZP5 Series

HID | FLANGE 



HID PIT LITE

APPLICATIONS:

- UL/CUL Listed Wet Location
- UL/CUL Hazardous Location (Class I, Division 2; Groups A, B, C & D)

BENEFITS:

- Luminaires adaptable to your specific needs

FEATURES:

- Mudbox included
- Every luminaire tested with lamp to assure customer satisfaction
- 5 year limited warranty
- Proudly made in **USA**

SPECIFICATIONS:

HOUSING:

Constructed of nominal 20GA (.036) zinc coated steel for unmatched corrosion protection. Two welded, tapered, threaded hubs on the back provides a sealed wireway access. All seams are sealed with a long life acrylic sealant.

MUD BOX:

Nominal 16GA (.059) zinc coated steel, with all seams sealed. Two .875 dia. holes on the back provides access to the luminaire hub.

REFLECTOR:

Fabricated of diffuse aluminum.

LENS FRAME:

Nominal 16GA (.059) zinc coated steel, with welded seams. Captive stainless steel screws hold the lens frame tight to the housing.

WIRE GUARD:

11GA welded wire construction, welded to the lens frame.

GASKETING:

Silicone sealant is used to seal the lens into the lens frame, with sponge silicone gasket used to seal the frame to the housing.

FINISH:

Painted surfaces are two mil of white polyester enamel.

LENS:

.187 Pattern 62 tempered glass.

ELECTRICAL:

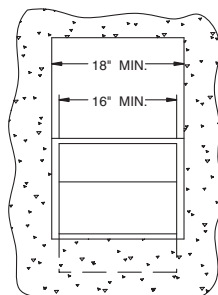
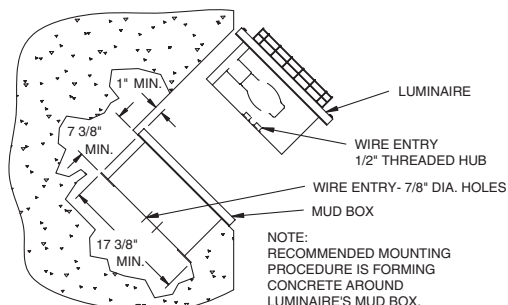
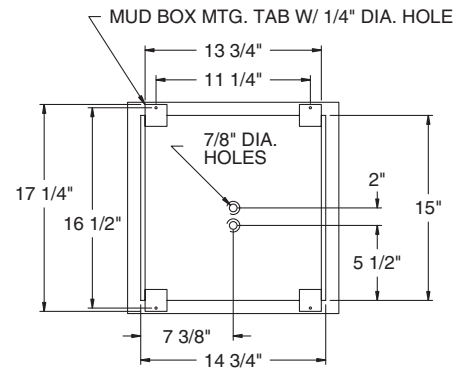
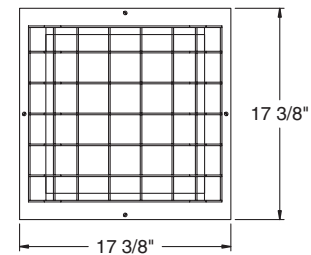
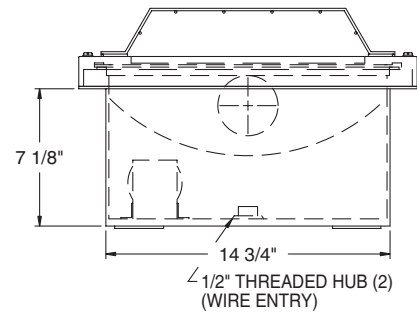
Core and coil ballast standard. Medium base lampholder.

MOUNTING:

Recessed only.

TEMPERATURE:

Class I, Div. 2= T2B (245°C)



Note: Mudbox can ship prior to luminaire. Please consult factory.



Hazardous Location:

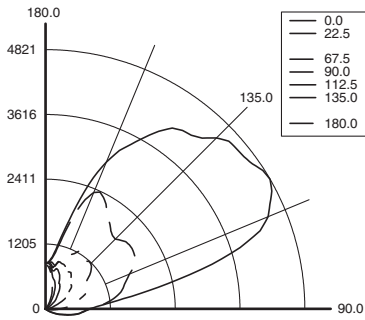


ZP5 Series



PHOTOMETRICS: For additional photometry, go to paramountlighting.com

Model ZP5100S9, Semi-specular Reflector with Wire Guard and Tempered Glass Lens, 1 100W HPS Lamp, Lamp Lumen Rating = 9500



Coefficients of Utilization, Zonal Cavity Method

Floor Cavity Reflectance: 20%

RC	.8				.7				.5				.3				.1				0
RW	.7	.5	.3	.1	.7	.5	.3	.1	.5	.3	.1	.5	.3	.1	.5	.3	.1	.5	.3	.1	0
R 0	55	55	55	55	47	47	47	47	34	34	34	21	21	21	9	9	9	4	4	4	0
C 1	49	46	43	41	42	40	37	36	28	26	25	17	16	15	6	6	6	1	1	1	0
R 2	44	40	36	33	38	34	31	28	24	22	20	14	13	12	5	5	4	0	0	0	0
3	40	35	30	27	34	30	26	23	21	18	16	12	11	10	4	4	3	0	0	0	0
4	36	30	26	22	31	26	22	19	18	16	14	11	9	8	4	3	3	0	0	0	0
5	33	27	22	19	28	23	19	16	16	13	11	9	8	7	3	3	2	0	0	0	0
6	30	24	19	16	26	20	17	14	14	12	10	8	7	6	3	2	2	0	0	0	0
7	28	21	17	14	24	18	15	12	13	10	8	8	6	5	3	2	1	0	0	0	0
8	26	19	15	12	22	16	13	10	11	9	7	7	5	4	2	2	1	0	0	0	0
9	24	17	13	10	20	15	11	9	10	8	6	6	5	4	2	1	1	0	0	0	0
10	22	16	12	9	19	13	10	8	9	7	5	6	4	3	2	1	1	0	0	0	0

Zonal Lumen Summary

Zone	Lumens	% Lamp	% Luminaire
0-30	0	0	0
0-40	0	0	0
0-60	12	0.1	0.2
0-90	430	4.5	7.9
90-120	1857	19.5	34.3
90-130	2683	28.2	49.6
90-150	4120	43.4	76.1
90-180	4980	52.4	92.1
0-180	5411	57	100

Total Luminaire Optical Efficiency = 57.0%
Spacing Criterion: 0° = 5.44, 90° = 5.44

HID PIT LITE ORDERING INFORMATION:

ZP5 SERIES	LAMP WATTS	LAMP TYPE	9 LENS	OPTIONS	VOLTAGE
ZP5 Hazardous	35 Medium Base (HPS Only) 50 Medium Base 70 Medium Base 100 Medium Base	M MH S HPS	9 .187 Tempered Glass (P62)	FUSING F2 GMF/HLR Fusing (Slow) LENSING H5 .156 C73 Tempered Glass H6 .187 Clear Tempered Glass MISC P9 Special Paint Color (Provide Paint Code & Chip) T3 Tamper Resistant (Hex w/pin STD, Others Avail)	120V/60Hz STD 208V/60Hz 240V/60Hz 277V/60Hz 480V/60Hz 50Hz Available

Add hyphens between options

Project Information:

Information subject to change without notice. Lamps supplied by others.

© 2010 Paramount Industries, Inc. P.O. Box 259 Crosswell, MI 48422