



Photometric Report

Number of lamps: 2
 Lumens per lamp: 3150.00
 Input watts: 58.00
 Distribution: Semi-Direct
 Efficiency: 80.4
 Photometric type: C
 Luminous shape: Rectangle
 Units: Feet
 Luminous Dimensions:
 0-180 Axis: 4.040
 90-270 Axis: 0.170
 Height: 0.292
 Spacing Criteria (0): 1.21
 Spacing Criteria (90): 2.02
 Spacing Criteria (Four Luminaires): 1.86

Zonal Lumen Summary

Zone	Lumens	%Lamp	%Fixt
0-30	558	9	11
0-40	1003	16	20
0-60	2147	34	42
0-90	3799	60	75
90-120	915	15	18
90-150	1227	19	24
90-180	1263	20	25
0-180	5063	80	100

Total Luminaire Efficiency = 80%

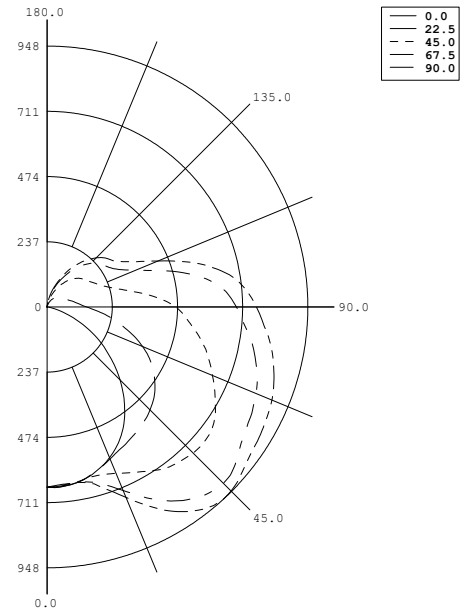
Luminance Data in candela/square meter

	0.0	45.0	90.0
0.0	10266	10266	10266
45.0	7752	7351	7720
55.0	6242	7197	7214
65.0	4175	6695	7061
75.0	1479	6322	6977
85.0	0	5935	6909

Coefficients of Utilization

pfc= 0.20

pcc-	0.80			0.70			0.50			0.30			0.10			0.0		
pw->	0.7	0.5	0.3	0.1	0.7	0.5	0.3	0.1	0.5	0.3	0.1	0.5	0.3	0.1	0.5	0.3	0.1	0.0
RCR																		
0	91	91	91	91	86	86	86	86	78	78	78	71	71	71	64	64	64	60
1	79	74	69	65	75	70	66	62	63	59	56	56	54	51	50	48	46	43
2	70	62	56	50	66	59	53	48	53	48	44	47	43	40	42	39	36	33
3	63	53	46	40	60	51	44	38	45	40	35	40	36	32	36	32	29	26
4	57	47	39	33	54	44	37	31	39	33	29	35	30	26	31	27	24	21
5	52	41	33	27	49	39	32	26	35	29	24	31	26	22	28	23	20	17
6	48	36	29	23	45	35	27	22	31	25	20	28	23	19	25	20	17	15
7	44	33	25	20	42	31	24	19	28	22	18	25	20	16	22	18	15	13
8	41	30	22	17	39	28	21	17	25	20	15	23	18	14	20	16	13	11
9	38	27	20	15	36	26	19	15	23	18	14	21	16	13	19	15	11	10
10	36	25	18	14	34	23	17	13	21	16	12	19	15	11	17	13	10	9





Candela Distribution

	0.0	22.5	45.0	67.5	90.0
0.0	655	655	655	655	655
2.5	657	657	653	654	650
5.0	655	655	650	652	647
7.5	651	652	647	651	647
10.0	647	647	645	649	647
12.5	640	639	640	651	654
15.0	631	629	638	660	666
17.5	619	620	640	675	691
20.0	608	609	646	696	717
22.5	593	598	654	722	749
25.0	577	588	666	750	784
27.5	559	580	678	782	818
30.0	539	574	691	810	853
32.5	516	566	706	836	882
35.0	491	560	721	859	907
37.5	463	553	732	876	927
40.0	435	546	739	892	942
42.5	405	539	745	902	948
45.0	375	529	751	906	946
47.5	344	519	753	904	939
50.0	312	508	752	892	928
52.5	280	494	749	876	918
55.0	252	478	739	862	911
57.5	222	462	725	853	907
60.0	191	444	706	844	902
62.5	160	423	688	839	896
65.0	130	401	670	830	891
67.5	103	375	650	823	885
70.0	75	349	633	813	876
72.5	53	321	614	801	865
75.0	31	291	597	786	853
77.5	16	265	575	772	841
80.0	8	238	554	757	827
82.5	2	213	531	738	811
85.0	0	186	510	719	792
87.5	0	162	491	703	777
90.0	0	143	468	688	761
92.5	0	129	437	671	745
95.0	0	119	400	652	726
97.5	0	110	361	624	703
100.0	0	102	321	588	673
102.5	0	96	287	543	634
105.0	0	89	259	493	592
107.5	0	83	238	440	543
110.0	0	78	221	388	488
112.5	0	73	209	349	437
115.0	0	68	199	318	393
117.5	0	64	191	295	355
120.0	0	61	183	279	329
122.5	0	57	177	268	308
125.0	0	55	171	260	293
127.5	0	54	166	253	285
130.0	0	51	161	245	277
132.5	0	50	155	230	266
135.0	0	49	147	225	253
137.5	0	46	140	211	237
140.0	0	42	130	197	223
142.5	0	41	120	183	206
145.0	0	36	108	166	188
147.5	0	33	98	150	170
150.0	0	29	86	132	153
152.5	0	25	74	116	133
155.0	0	20	64	100	113
157.5	0	16	54	85	95
160.0	0	12	44	69	78
162.5	0	8	35	54	63
165.0	0	4	26	40	48
167.5	1	1	17	26	31
170.0	1	1	9	17	20
172.5	1	0	3	9	10
175.0	0	0	0	0	0
177.5	0	0	0	0	0
180.0	0	0	0	0	0