



# Photometric Report

Number of lamps: 4  
 Lumens per lamp: 1400.00  
 Input watts: 88.00  
 Distribution: Direct  
 Efficiency: 66.3  
 Photometric type: C  
 Luminous shape: Rectangle  
 Units: Feet  
 Luminous Dimensions:  
 0-180 Axis: 1.771  
 90-270 Axis: 1.771  
 Height: 0.000  
 Spacing Criteria (0): 1.26  
 Spacing Criteria (90): 1.34  
 Spacing Criteria (Four Luminaires): 1.44

### Zonal Lumen Summary

Zone	Lumens	%Lamp	%Fixt
0-30	994	18	27
0-40	1626	29	44
0-60	2930	52	79
0-90	3713	66	100
90-120	0	0	0
90-150	0	0	0
90-180	0	0	0
0-180	3713	66	100

Total Luminaire Efficiency = 66%

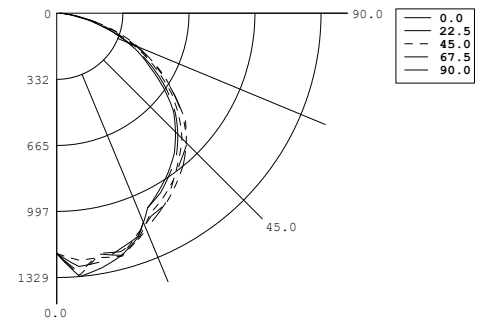
### Luminance Data in candela/square meter

	0.0	45.0	90.0
0.0	4148	4148	4148
45.0	4097	4324	4471
55.0	3928	4221	4339
65.0	3624	3878	4048
75.0	2866	3171	3415
85.0	1948	2077	2277

### Coefficients of Utilization

pfc= 0.20

pcc-	0.80			0.70			0.50			0.30			0.10			0.0
pw->	0.7	0.5	0.3	0.1	0.7	0.5	0.3	0.1	0.5	0.3	0.1	0.5	0.3	0.1	0.0	
RCR																
0	79	79	79	79	77	77	77	77	74	74	71	71	71	68	68	66
1	72	69	66	64	70	68	65	63	65	63	61	62	60	59	58	56
2	66	60	56	52	64	59	55	51	57	53	50	54	51	49	50	46
3	60	53	47	43	58	52	47	43	50	45	42	48	44	41	46	40
4	55	47	41	36	53	46	40	36	44	39	35	43	38	35	41	35
5	50	42	36	31	49	41	35	31	39	34	31	38	34	30	37	30
6	46	37	31	27	45	37	31	27	36	30	27	34	30	26	33	26
7	43	34	28	24	42	33	28	24	32	27	24	31	27	23	30	23
8	40	31	25	21	39	30	25	21	30	25	21	29	24	21	28	21
9	37	28	23	19	36	28	23	19	27	22	19	26	22	19	26	19
10	35	26	21	17	34	26	21	17	25	20	17	24	20	17	24	16





F24174

**Candela Distribution**

	0.0	22.5	45.0	67.5	90.0
0.0	1208	1208	1208	1208	1208
5.0	1329	1279	1246	1309	1322
10.0	1301	1270	1248	1226	1230
15.0	1261	1228	1266	1241	1260
20.0	1198	1194	1204	1207	1183
25.0	1081	1080	1112	1148	1125
30.0	1029	1043	1070	1098	1102
35.0	977	989	1023	1024	1047
40.0	919	936	955	969	991
45.0	844	861	891	925	921
50.0	766	778	801	832	845
55.0	656	677	705	726	725
60.0	541	565	590	609	620
65.0	446	452	477	491	498
70.0	328	337	356	373	385
75.0	216	217	239	252	258
80.0	112	121	131	131	130
85.0	49	50	53	51	58
90.0	15	12	13	15	17