



Photometric Report

Number of lamps: 3
 Lumens per lamp: 3050.00
 Input watts: 117.00
 Distribution: Direct
 Efficiency: 65.3
 Photometric type: C
 Luminous shape: Rectangle
 Units: Feet
 Luminous Dimensions:
 0-180 Axis: 3.658
 90-270 Axis: 1.658
 Height: 0.000
 Spacing Criteria (0): 1.32
 Spacing Criteria (90): 1.39
 Spacing Criteria (Four Luminaires): 1.46

Zonal Lumen Summary

Zone	Lumens	%Lamp	%Fixt
0-30	1590	17	27
0-40	2606	28	44
0-60	4705	51	79
0-90	5972	65	100
90-120	0	0	0
90-150	0	0	0
90-180	0	0	0
0-180	5972	65	100

Total Luminaire Efficiency = 65%

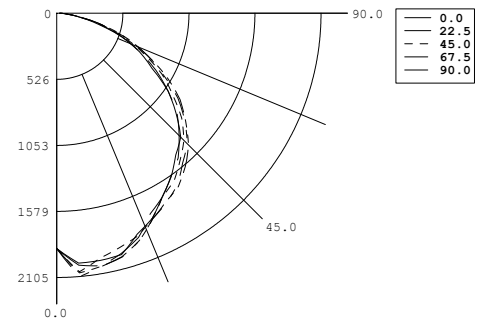
Luminance Data in candela/square meter

	0.0	45.0	90.0
0.0	3327	3327	3327
45.0	3502	3594	3726
55.0	3351	3475	3707
65.0	3049	3219	3344
75.0	2382	2653	2774
85.0	1731	1716	1653

Coefficients of Utilization

pfc= 0.20

pcc-	0.80			0.70			0.50			0.30			0.10			0.0	
pw->0.7	0.5	0.3	0.1	0.7	0.5	0.3	0.1	0.5	0.3	0.1	0.5	0.3	0.1	0.5	0.3	0.1	0.0
RCR																	
0	78	78	78	78	76	76	76	76	73	73	70	70	70	67	67	67	65
1	71	68	65	63	69	67	64	62	64	62	60	61	60	58	59	58	55
2	65	59	55	51	63	58	54	50	56	52	49	54	51	48	52	49	46
3	59	52	47	42	57	51	46	42	49	45	41	47	43	40	45	42	38
4	54	46	40	36	52	45	40	35	43	39	35	42	38	34	40	37	33
5	49	41	35	31	48	40	35	30	39	34	30	37	33	30	36	32	28
6	46	37	31	27	44	36	31	27	35	30	26	34	29	26	33	29	24
7	42	33	28	23	41	33	27	23	32	27	23	31	26	23	30	26	22
8	39	30	25	21	38	30	25	21	29	24	21	28	24	21	27	23	19
9	37	28	22	19	36	27	22	19	27	22	19	26	22	18	25	21	17
10	34	26	20	17	34	25	20	17	25	20	17	24	20	17	23	20	16





G23324

Candela Distribution

	0.0	22.5	45.0	67.5	90.0
0.0	1875	1875	1875	1875	1875
5.0	1998	2015	2067	2105	2077
10.0	2000	2044	1982	2048	2048
15.0	1991	1982	1933	2011	2008
20.0	1873	1901	1888	1926	1927
25.0	1802	1763	1802	1806	1808
30.0	1683	1687	1686	1745	1735
35.0	1589	1585	1629	1673	1687
40.0	1473	1504	1528	1558	1592
45.0	1395	1377	1432	1469	1485
50.0	1241	1251	1298	1331	1339
55.0	1083	1082	1123	1177	1198
60.0	875	913	966	980	1010
65.0	726	732	767	798	796
70.0	550	555	579	600	609
75.0	347	371	387	397	405
80.0	190	194	198	209	209
85.0	85	84	84	88	81
90.0	21	21	24	23	21