



Photometric Report

Number of lamps: 1
 Lumens per lamp: 3850.00
 Input watts: 80.10
 Distribution: Direct
 Efficiency: 53.9
 Photometric type: C
 Luminous shape: Rectangle
 Units: Feet
 Luminous Dimensions:
 0-180 Axis: 3.906
 90-270 Axis: 0.375
 Height: 0.000
 Spacing Criteria (0): 1.23
 Spacing Criteria (90): 1.34
 Spacing Criteria (Four Luminaires): 1.40

Zonal Lumen Summary

Zone	Lumens	%Lamp	%Fixt
0-30	601	16	29
0-40	988	26	48
0-60	1740	45	84
0-90	2075	54	100
90-120	0	0	0
90-150	0	0	0
90-180	0	0	0
0-180	2075	54	100

Total Luminaire Efficiency = 54%

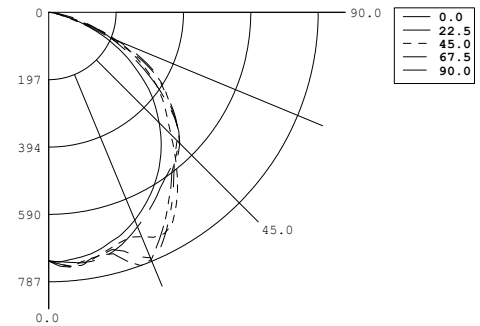
Luminance Data in candela/square meter

	0.0	45.0	90.0
0.0	5335	5335	5335
45.0	4739	5237	5601
55.0	4253	5009	5393
65.0	3390	4468	4347
75.0	1817	2129	1278
85.0	253	506	506

Coefficients of Utilization

pfc= 0.20

pcc-	0.80			0.70			0.50			0.30			0.10			0.0	
pw->	0.7	0.5	0.3	0.7	0.5	0.3	0.1	0.5	0.3	0.1	0.5	0.3	0.1	0.5	0.3	0.1	0.0
RCR																	
0	64	64	64	63	63	63	63	60	60	60	57	57	57	55	55	55	54
1	59	57	55	53	58	56	54	52	53	52	50	51	50	49	49	48	47
2	54	50	47	44	53	49	46	43	47	44	42	45	43	41	44	42	40
3	49	44	40	37	48	43	39	36	42	38	36	40	37	35	39	36	34
4	45	39	35	31	44	38	34	31	37	33	30	36	33	30	35	32	30
5	42	35	30	27	41	34	30	27	33	29	26	32	29	26	31	28	26
6	38	31	27	23	37	31	27	23	30	26	23	29	26	23	28	25	23
7	36	29	24	21	35	28	24	21	27	23	20	26	23	20	26	23	20
8	33	26	21	18	32	26	21	18	25	21	18	24	21	18	24	20	18
9	31	24	19	17	30	24	19	16	23	19	16	22	19	16	22	19	16
10	29	22	18	15	28	22	18	15	21	17	15	21	17	15	20	17	15





Candela Distribution

	0.0	22.5	45.0	67.5	90.0
0.0	726	726	726	726	726
2.5	730	729	736	736	742
5.0	725	733	744	746	747
7.5	721	738	745	742	735
10.0	716	738	733	729	729
12.5	707	734	721	724	725
15.0	695	724	711	717	730
17.5	686	711	703	731	762
20.0	672	695	699	759	787
22.5	657	678	709	776	782
25.0	640	661	725	766	750
27.5	622	644	729	735	718
30.0	603	626	718	701	686
32.5	582	607	688	668	652
35.0	560	592	654	634	622
37.5	536	580	618	600	590
40.0	511	571	579	570	571
42.5	484	560	541	548	554
45.0	456	541	504	530	539
47.5	427	515	472	511	514
50.0	399	480	446	485	482
52.5	368	438	419	454	448
55.0	332	395	391	418	421
57.5	297	351	359	390	396
60.0	265	309	325	365	357
62.5	230	268	289	324	310
65.0	195	231	257	276	250
67.5	160	196	217	221	192
70.0	125	163	173	162	132
72.5	94	131	124	105	77
75.0	64	100	75	58	45
77.5	43	73	38	35	32
80.0	22	42	20	23	19
82.5	11	20	13	15	14
85.0	3	5	6	8	6
87.5	2	3	2	3	3
90.0	0	0	0	0	0