



T63326

Photometric Report

Number of lamps: 3
 Lumens per lamp: 2950.00
 Input watts: 117.00
 Distribution: Direct
 Efficiency: 67.6
 Photometric type: C
 Luminous shape: Rectangle
 Units: Feet
 Luminous Dimensions:
 0-180 Axis: 3.969
 90-270 Axis: 0.677
 Height: 0.000
 Spacing Criteria (0): 1.26
 Spacing Criteria (90): 1.27
 Spacing Criteria (Four Luminaires): 1.38

Zonal Lumen Summary

Zone	Lumens	%Lamp	%Fixt
0-30	1795	20	30
0-40	2934	33	49
0-60	5059	57	85
0-90	5982	68	100
90-120	0	0	0
90-150	0	0	0
90-180	0	0	0
0-180	5982	68	100

Total Luminaire Efficiency = 68%

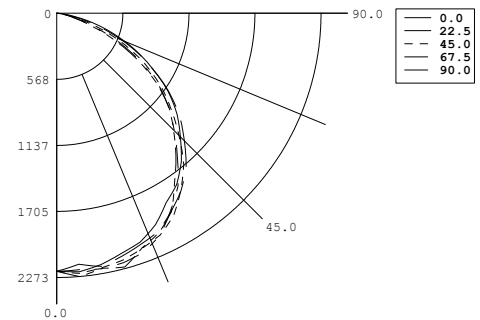
Luminance Data in candela/square meter

	0.0	45.0	90.0
0.0	8892	8892	8892
45.0	8510	8413	8041
55.0	8162	7640	7321
65.0	7034	6167	5231
75.0	5025	3087	2428
85.0	1412	644	397

Coefficients of Utilization

pfc= 0.20

pcc-	0.80			0.70			0.50			0.30			0.10			0.0		
pw->	0.7	0.5	0.3	0.1	0.7	0.5	0.3	0.1	0.5	0.3	0.1	0.5	0.3	0.1	0.0			
RCR																		
0	81	81	81	81	79	79	79	79	75	75	72	72	72	69	69	68		
1	75	72	69	67	73	70	68	66	67	65	64	65	63	62	62	61	60	58
2	68	63	59	55	66	62	58	55	59	56	53	57	54	52	55	53	51	50
3	62	56	50	46	61	55	50	46	53	49	45	51	47	44	49	46	44	42
4	57	50	44	40	56	49	43	39	47	42	39	45	41	38	44	41	38	36
5	53	44	38	34	51	44	38	34	42	37	34	41	37	33	40	36	33	32
6	49	40	34	30	47	39	34	30	38	33	30	37	33	29	36	32	29	28
7	45	36	30	26	44	36	30	26	35	30	26	34	29	26	33	29	26	24
8	42	33	27	24	41	33	27	24	32	27	23	31	27	23	30	26	23	22
9	39	30	25	21	38	30	25	21	29	24	21	29	24	21	28	24	21	20
10	37	28	23	19	36	28	23	19	27	22	19	26	22	19	26	22	19	18





T63326

Candela Distribution

	0.0	22.5	45.0	67.5	90.0
0.0	2220	2220	2220	2220	2220
5.0	2232	2168	2246	2215	2273
10.0	2196	2211	2224	2232	2228
15.0	2139	2164	2199	2221	2260
20.0	2096	2115	2151	2186	2147
25.0	2008	2070	2104	2104	2082
30.0	1882	1968	2010	1959	1972
35.0	1797	1863	1859	1816	1767
40.0	1666	1730	1698	1613	1593
45.0	1502	1552	1485	1429	1420
50.0	1350	1380	1283	1255	1259
55.0	1169	1177	1094	1066	1048
60.0	950	948	879	829	803
65.0	742	725	651	594	552
70.0	526	489	418	335	311
75.0	325	281	199	169	157
80.0	146	108	74	67	64
85.0	31	21	14	10	9
90.0	1	0	0	0	0
95.0	0	0	0	0	0
100.0	0	0	0	0	0
105.0	0	0	0	0	0
110.0	0	0	0	0	0
115.0	0	0	0	0	0
120.0	0	0	0	0	0
125.0	0	0	0	0	0
130.0	0	0	0	0	0
135.0	0	0	0	0	0
140.0	0	0	0	0	0
145.0	0	0	0	0	0
150.0	0	0	0	0	0
155.0	0	0	0	0	0
160.0	0	0	0	0	0
165.0	0	0	0	0	0
170.0	0	0	0	0	0
175.0	0	0	0	0	0
180.0	0	0	0	0	0